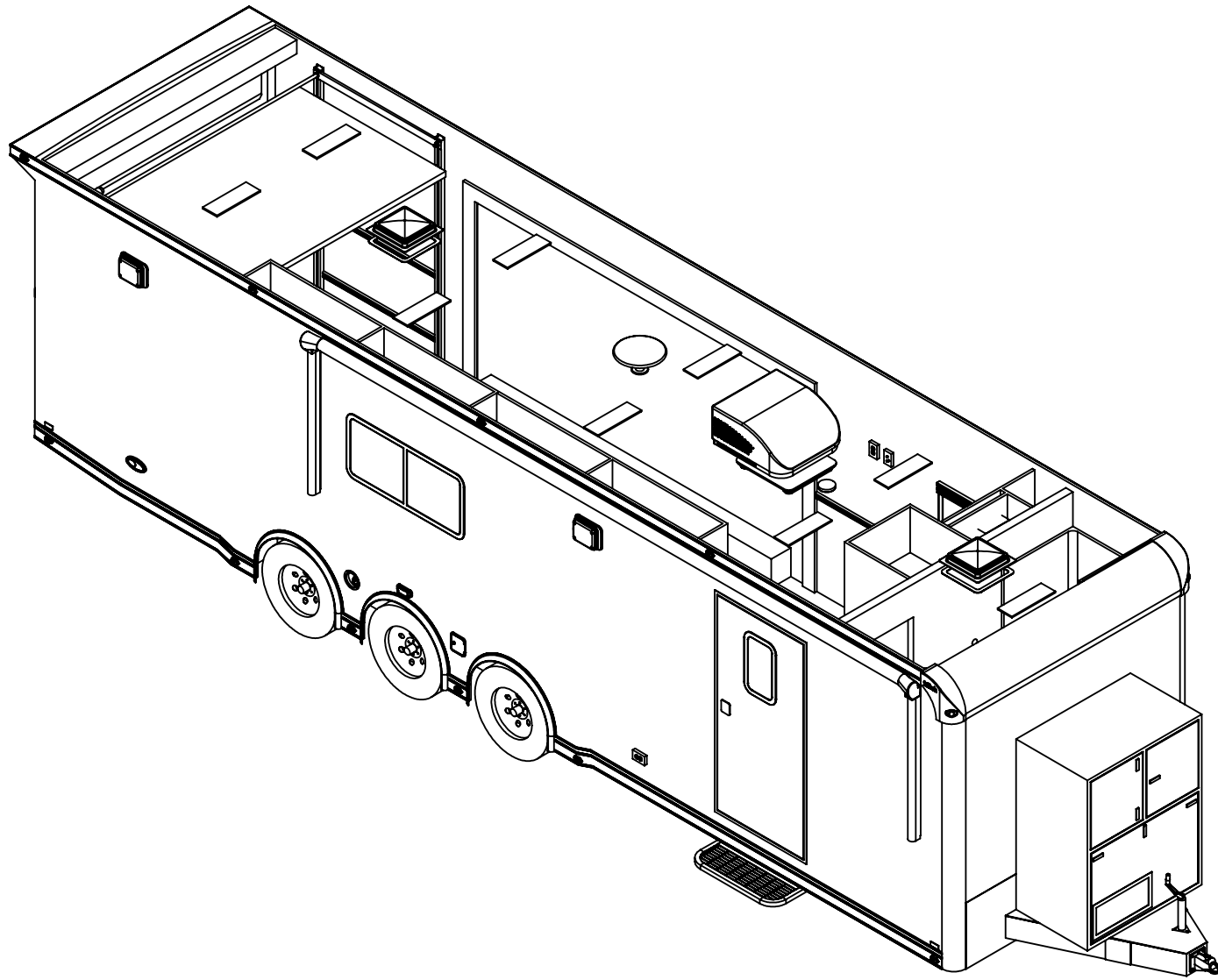


ITEM NO.	FILE NAME	DESCRIPTION	QTY.
1	Air Conditioner	15,000 BTU	1
2	Airline Track		1
3	Airline Track		2
4	Antenna, Omnidirectional		1
5	Awning, Carefree	21" Power	1
6	Axle, Dexter	6000#, 22.5 UP, 93HF, 78AB	3
14	Battery Box		1
15	Battery Vent		1
16	Bumpers	1"	1
17	CO Detector		1
18	Cabinet, Base - 16735		1
19	Cabinet, Bathroom - Tag Full Bath-16735		1
20	Cabinet, Fridge-Micro - 16735		1
21	Cabinet, Linen Closet - Tag Full Bath-16735		1
22	Cabinet, Overhead - CS-16735		1
23	Cabinet, Overhead - CS-16735		1
24	Cabinet, Overhead - 16735		1
25	Cast Corners		1
26	Caster Wheel		2
27	Coaxial Cable Jack		1
28	Coaxial Cable Jack - Exterior		1
29	Coupler - Flat Nose	25K - Bulldog	1
30	Cover, Spring Assist		1
31	D-Ring	5,000	4
32	Day-Night Shade	48" Window	2
33	Docking Light		2
34	Door, Entrance	36" x 78"	1
35	Fire Extinguisher	2 lb	1
36	First Aid Kit		1
39	Fuel Fill		1
40	Fuel Gauge		1
41	Fuel Tank ST	17295-IN-A - 40 Gal. Side Fill Gas	1
42	Happi Jac Bed Liff-16735	8.5" Wide 82" Legs	1
43	In-Floor Compartment	Spare Tire Box (32"x32")	1
44	Jack - Top Wind		1
45	LED Light	18", 12V, LED	1
46	LICENSE PLATE BRACKET		1
47	Light	18" 12v LED	9
50	Light, License Plate		1
51	Light, Sconce		1
52	Load Center	50 Amp L/C - 60 Amp Conv	1
53	Loading Light - LED	900 Series	2
54	Loading Light - LED	13.7" 12V Loading Light	2
55	Microwave Flush Mount	1.0 cu ft	1
56	Mirror	18"x24"	1
57	Monitor Panel		1
58	Motorbase Plug	50 Amp	1
59	Outlet	120V 20 Amp	6
60	Outlet	Single Gang 20 AMP	2
61	Paddle Latch		2
62	Partition Wall - Tag Full Bath-16735		1

ITEM NO.	FILE NAME	DESCRIPTION	QTY.
63	Ramp Extension	16" Transition Flap	1
66	Refrigerator Flush Mount	7.0 Cubic Feet, 2-Way	1
67	Shower	Rectangle 33x30	1
68	Sink 1 Bay		2
69	Sleeper Sofa	76" Long Sleeper Sofa	1
70	Slide Out Step	36" Wide	1
71	Switch	Roof Vent	2
72	Switch	12v Cutoff	1
73	Switch	1 - 12V Switch	4
74	Switch	2 - 12V Switches	1
75	Switch	Dimmer	1
76	Switch	Awning Command	1
77	Switch	Happi Jac Bed	1
78	TP Holder		1
79	Tail Light	Panelite	4
80	Thermostat	Digital - Single Zone	1
81	Tire	ST235/80R16	6
82	Toilet	Dometic 320 Series	1
83	Tongue Box - 16735		1
84	Tongue Cover		1
85	Towel Rack		1
86	Towel Ring		1
87	Transfer Switch, Automatic	PD52DCS	1
88	Transfer Switch, Remote Display		1
89	Turn Signal		2
90	Vent, Roof		2
91	Waste Tank - 2 - RH	4305 - 38 Gal.	1
92	Waste Tank - 3 - RH	4306 - 38 Gal.	1
93	Water Fill - City	City Water Fill Connection	1
94	Water Fill - Gravity	Water Fill - Gravity	1
95	Water Heater	10 Gal Electric	1
96	Water Pump	12v - 3 GPM	1
97	Water Tank - Alpha	Alpha - 90 Gal.	1
98	Weight Distribution Prep		1
102	Window	12' x 21" Solid	1
103	Window	48" x 22" Horizontal	2

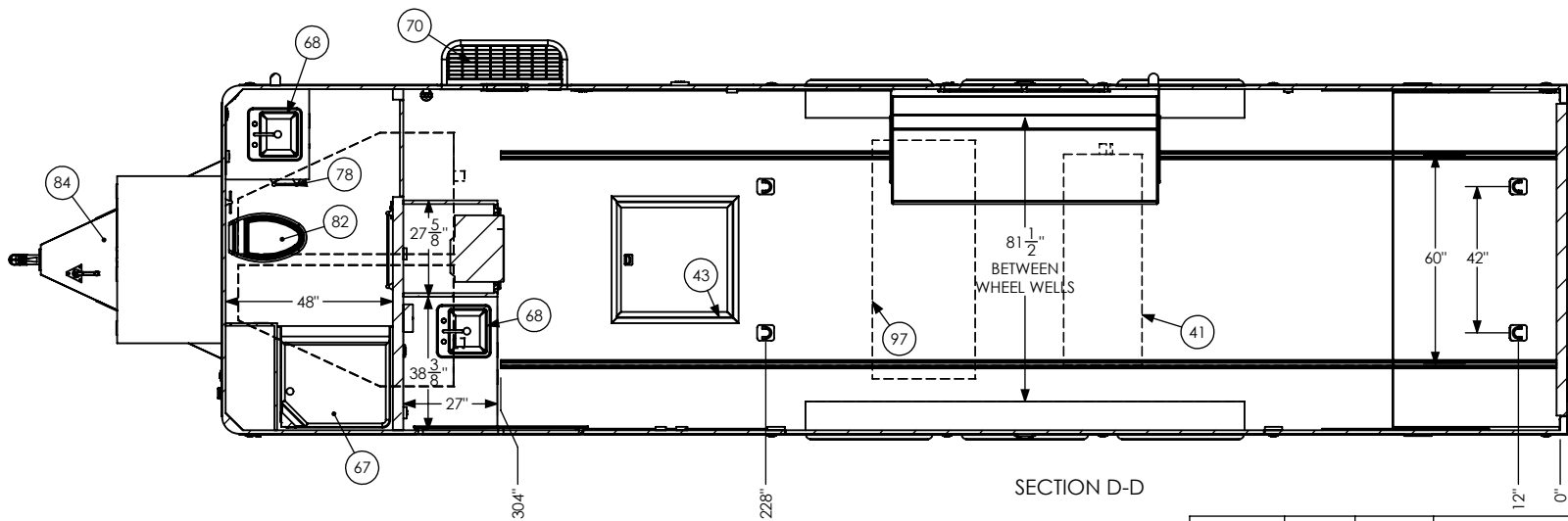
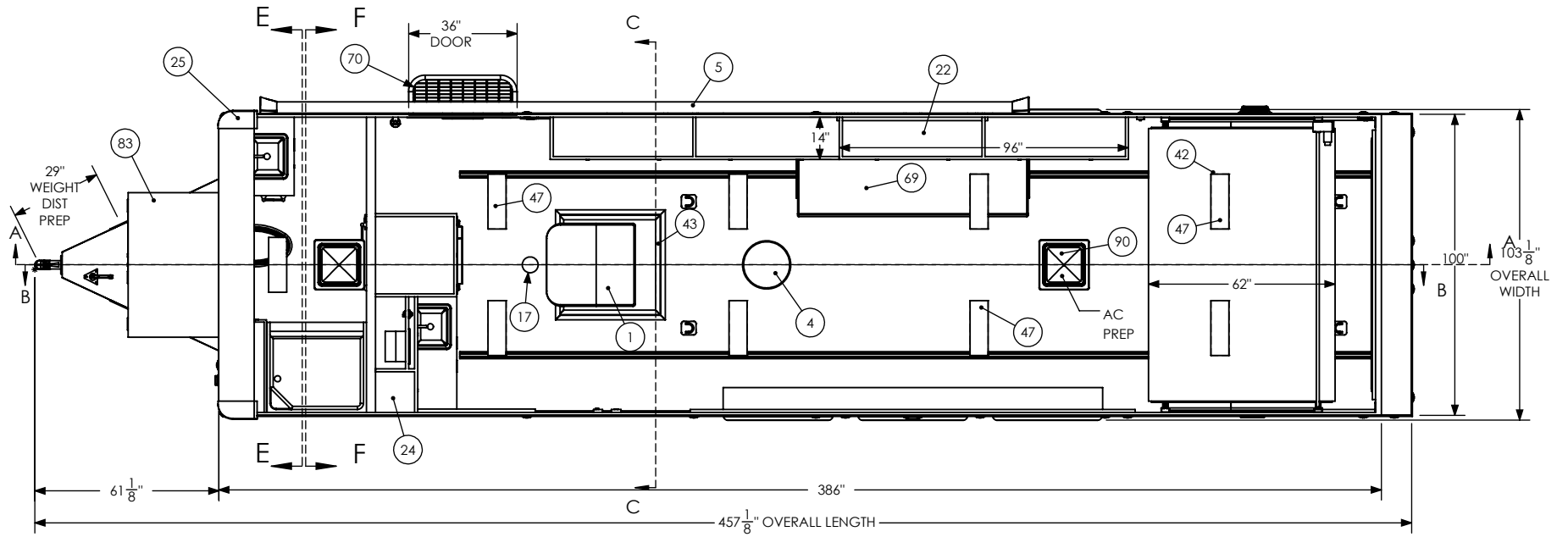
	NAME	DATE	<b><i>inTech Trailers</i></b>	
DRAWN	SMM	12/14/20	<b>KB - 16735 BTA8.5x32TTA4 BOM</b>	
CHECKED				
ENG APPR.				
<small>ALL DIMENSIONS ARE IN INCHES AND ARE NOMINAL. DIMENSIONS ON ACTUAL TRAILER MAY VARY FROM WHAT IS SHOWN ON PRINT BASED ON ACTUAL FRAMING AND TRAILER STRUCTURE, UNLESS NOTED AS CRITICAL.</small>			DWG. NO.	REV.
			BTA8.5X32TTA Trailer Assembly -16735	F
			SCALE: 1:50	SHEET 1 OF 6

**PROPRIETARY AND CONFIDENTIAL**  
THE INFORMATION CONTAINED IN THIS DRAWING IS THE SOLE PROPERTY OF INTECH TRAILERS. ANY REPRODUCTION IN PART OR AS A WHOLE WITHOUT THE WRITTEN PERMISSION OF INTECH TRAILERS IS PROHIBITED.



	NAME	DATE	<b>inTech Trailers</b>  KB - 16735 BTA8.5x32TTA4 ISO	
DRAWN	SMM	12/14/20		
CHECKED				
ENG APPR.				
ALL DIMENSIONS ARE IN INCHES AND ARE NOMINAL. DIMENSIONS ON ACTUAL TRAILER MAY VARY FROM WHAT IS SHOWN ON PRINT BASED ON ACTUAL FRAMING AND TRAILER STRUCTURE. UNLESS NOTED AS CRITICAL			DWG. NO.	REV.
			BTA8.5X32TTA Trailer Assembly -16735	
SCALE: 1:50			SHEET 2 OF 6	

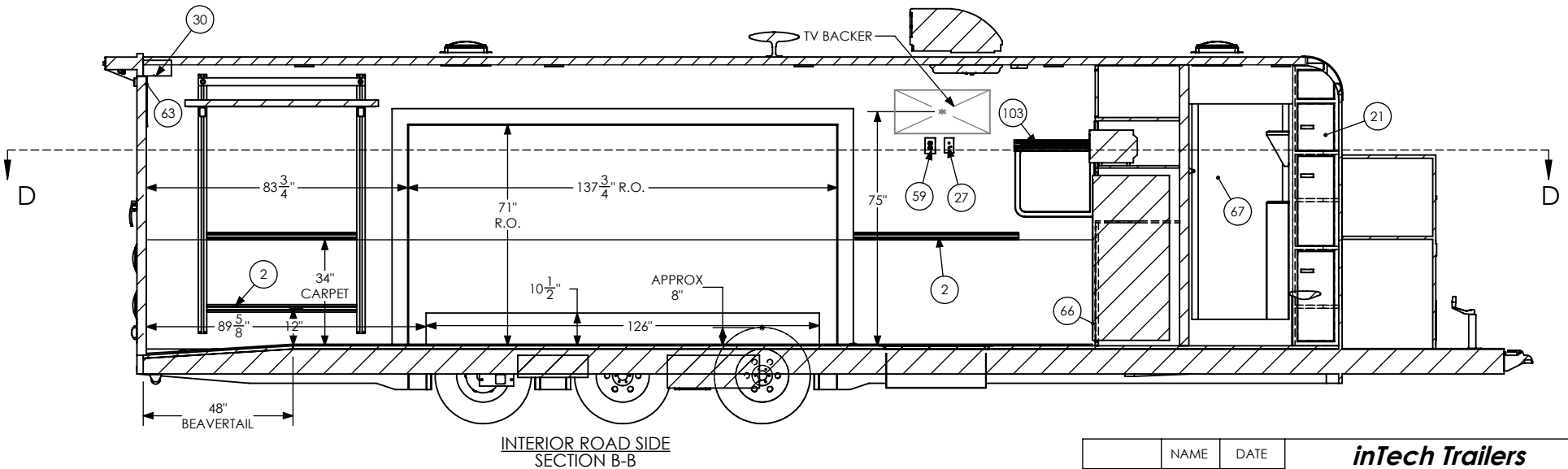
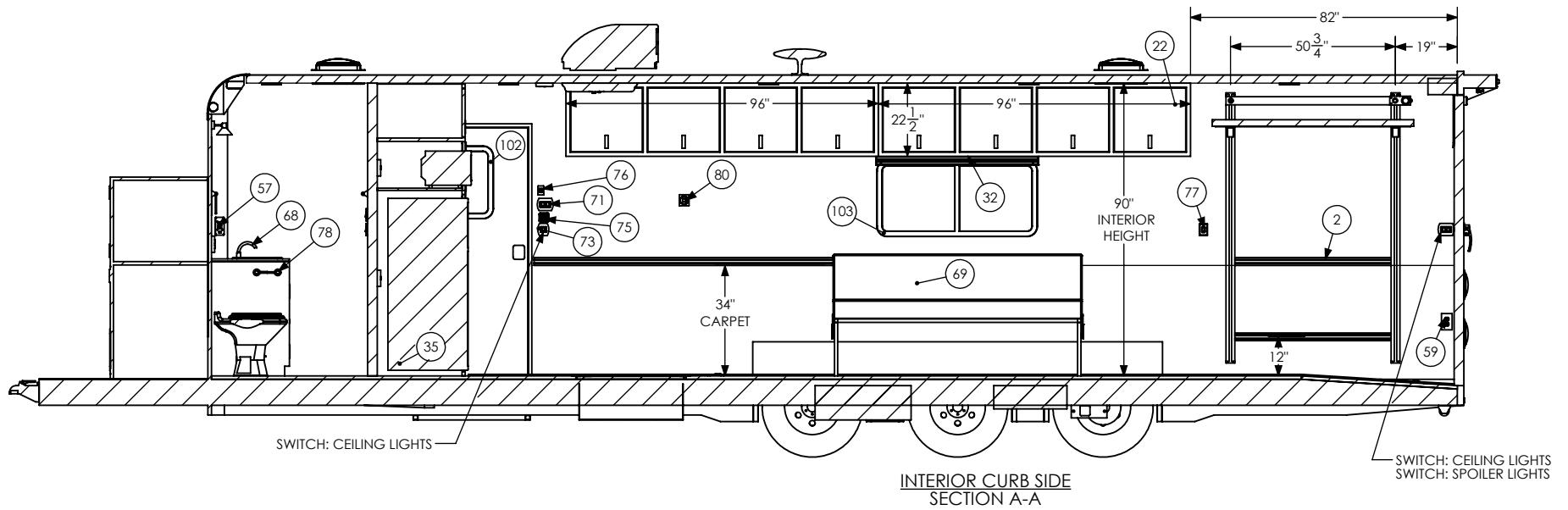
**PROPRIETARY AND CONFIDENTIAL**  
 THE INFORMATION CONTAINED IN THIS DRAWING IS THE  
 SOLE PROPERTY OF INTECH TRAILERS. ANY REPRODUCTION  
 IN PART OR AS A WHOLE WITHOUT THE WRITTEN PERMISSION  
 OF INTECH TRAILERS IS PROHIBITED.



SECTION D-D

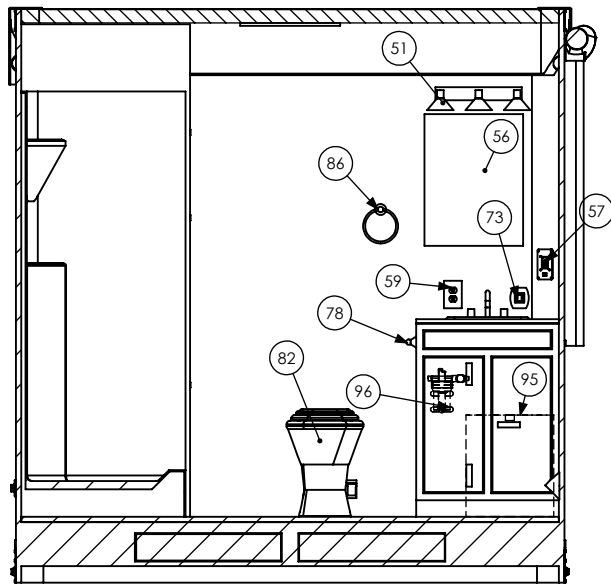
	NAME	DATE	<b>inTech Trailers</b>  KB - 16735 BTA8.5x32TTA4 FLOORPLAN	
DRAWN	SMM	12/14/20		
CHECKED				
ENG APPR.				
ALL DIMENSIONS ARE IN INCHES AND ARE NOMINAL. DIMENSIONS ON ACTUAL TRAILER MAY VARY FROM WHAT IS SHOWN ON PRINT BASED ON ACTUAL FRAMING AND TRAILER STRUCTURE, UNLESS NOTED AS CRITICAL			DWG. NO.	REV.
			BTA8.5X32TTA Trailer Assembly -16735	F
			SCALE: 1:54	SHEET 3 OF 6

**PROPRIETARY AND CONFIDENTIAL**  
 THE INFORMATION CONTAINED IN THIS DRAWING IS THE  
 SOLE PROPERTY OF INTECH TRAILERS. ANY REPRODUCTION  
 IN PART OR AS A WHOLE WITHOUT THE WRITTEN PERMISSION  
 OF INTECH TRAILERS IS PROHIBITED.

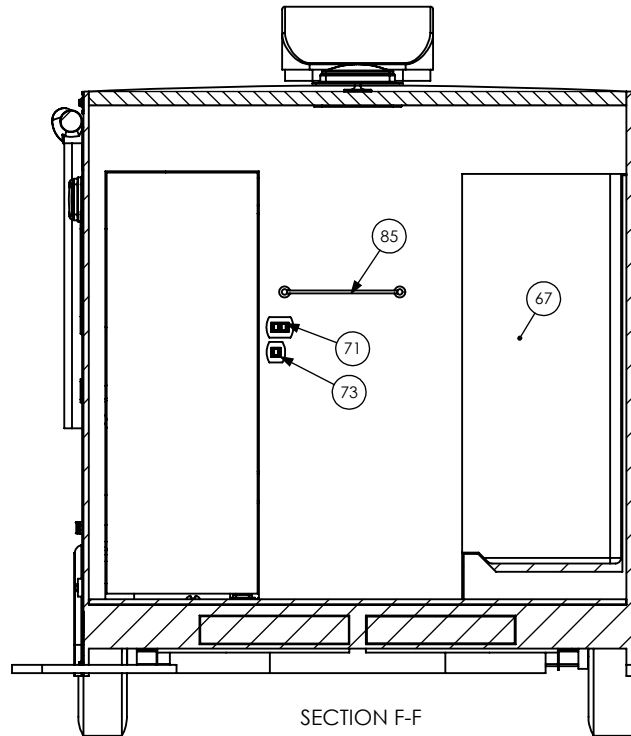


	NAME	DATE	<b>inTech Trailers</b>  KB - 16735 BTA8.5x32TTA4 INTERIOR SIDES	
DRAWN	SMM	12/14/20		
CHECKED				
ENG APPR.				
ALL DIMENSIONS ARE IN INCHES AND ARE NOMINAL. DIMENSIONS ON ACTUAL TRAILER MAY VARY FROM WHAT IS SHOWN ON PRINT BASED ON ACTUAL FRAMING AND TRAILER STRUCTURE. UNLESS NOTED AS CRITICAL			DWG. NO.	REV.
			BTA8.5X32TTA Trailer Assembly -16735	F
			SCALE: 1:50	SHEET 4 OF 6

**PROPRIETARY AND CONFIDENTIAL**  
 THE INFORMATION CONTAINED IN THIS DRAWING IS THE  
 SOLE PROPERTY OF INTECH TRAILERS. ANY REPRODUCTION  
 IN PART OR AS A WHOLE WITHOUT THE WRITTEN PERMISSION  
 OF INTECH TRAILERS IS PROHIBITED.

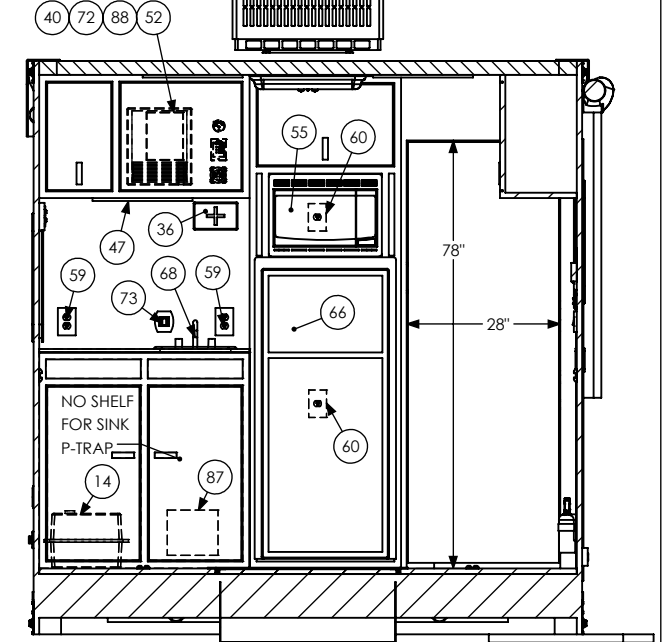


SECTION E-E



SECTION F-F

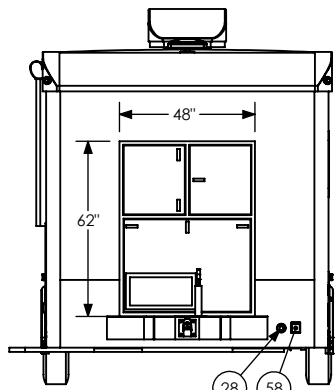
ELECTRICAL COMPONENTS  
BEHIND CABINET DOOR



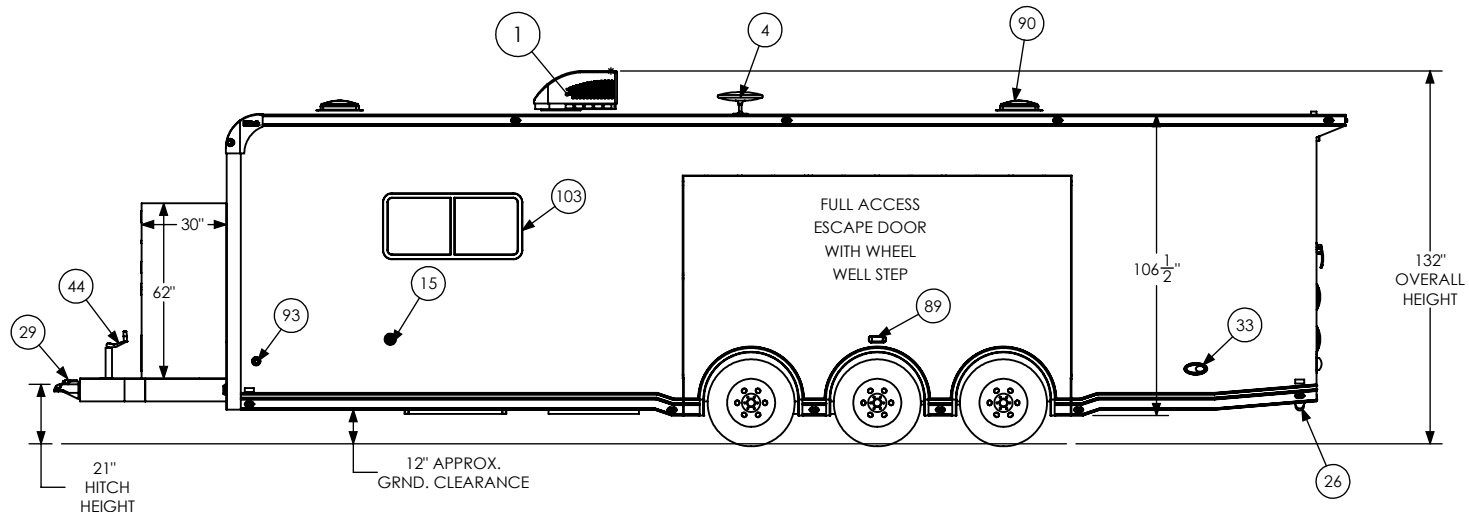
INTERIOR FRONT  
SECTION C-C

	NAME	DATE	<b><i>inTech Trailers</i></b>	
DRAWN	SMM	12/14/20	<b>KB - 16735</b> <b>BTA8.5x32TTA4</b> <b>INTERIOR FRONT</b>	
CHECKED				
ENG APPR.				
<small>ALL DIMENSIONS ARE IN INCHES AND ARE NOMINAL. DIMENSIONS ON ACTUAL TRAILER MAY VARY FROM WHAT IS SHOWN ON PRINT BASED ON ACTUAL FRAMING AND TRAILER STRUCTURE. UNLESS NOTED AS CRITICAL.</small>			DWG. NO. BTA8.5X32TTA Trailer Assembly -16735	REV. F
			SCALE: 1:35	SHEET 5 OF 6

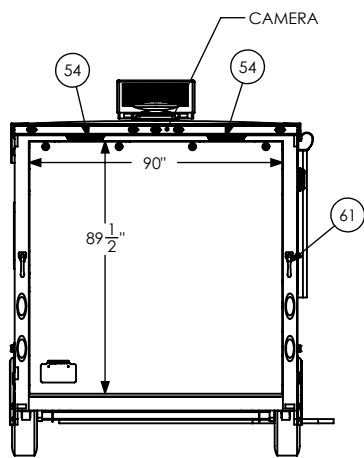
**PROPRIETARY AND CONFIDENTIAL**  
 THE INFORMATION CONTAINED IN THIS DRAWING IS THE SOLE PROPERTY OF INTECH TRAILERS. ANY REPRODUCTION IN PART OR AS A WHOLE WITHOUT THE WRITTEN PERMISSION OF INTECH TRAILERS IS PROHIBITED.



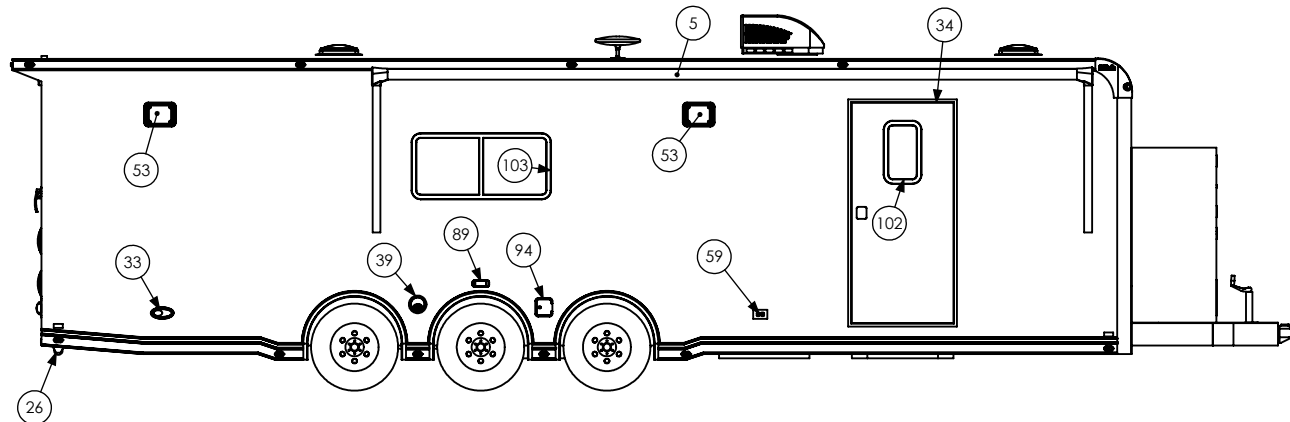
EXTERIOR FRONT



EXTERIOR ROAD SIDE



EXTERIOR REAR



EXTERIOR CURB SIDE

	NAME	DATE	<b>inTech Trailers</b>  KB - 16735 BTA8.5x32TTA4 EXTERIOR	
DRAWN	SMM	12/14/20		
CHECKED				
ENG APPR.				
ALL DIMENSIONS ARE IN INCHES AND ARE NOMINAL. DIMENSIONS ON ACTUAL TRAILER MAY VARY FROM WHAT IS SHOWN ON PRINT BASED ON ACTUAL FRAMING AND TRAILER STRUCTURE. UNLESS NOTED AS CRITICAL			DWG. NO. BTA8.5X32TTA Trailer Assembly -16735	REV. F
			SCALE: 1:68	SHEET 6 OF 6

**PROPRIETARY AND CONFIDENTIAL**  
THE INFORMATION CONTAINED IN THIS DRAWING IS THE SOLE PROPERTY OF INTECH TRAILERS. ANY REPRODUCTION IN PART OR AS A WHOLE WITHOUT THE WRITTEN PERMISSION OF INTECH TRAILERS IS PROHIBITED.