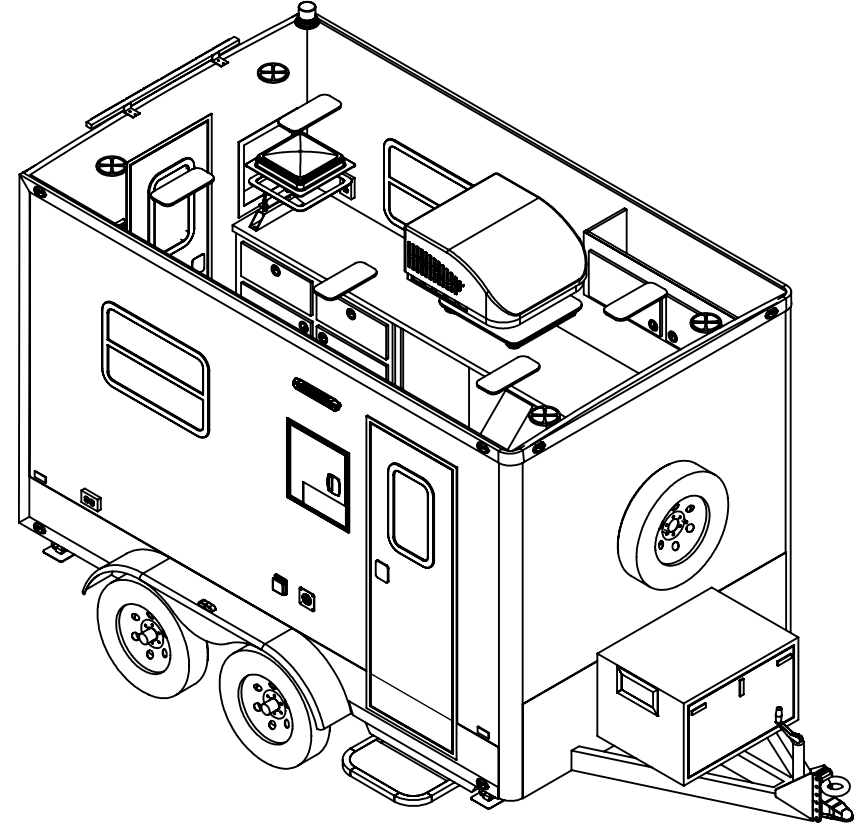
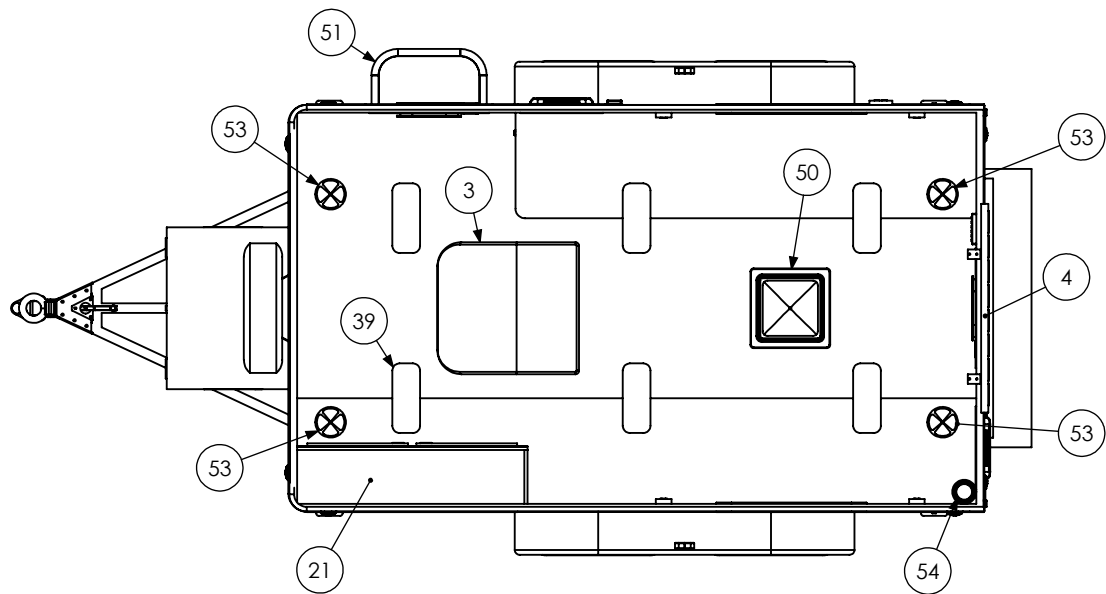
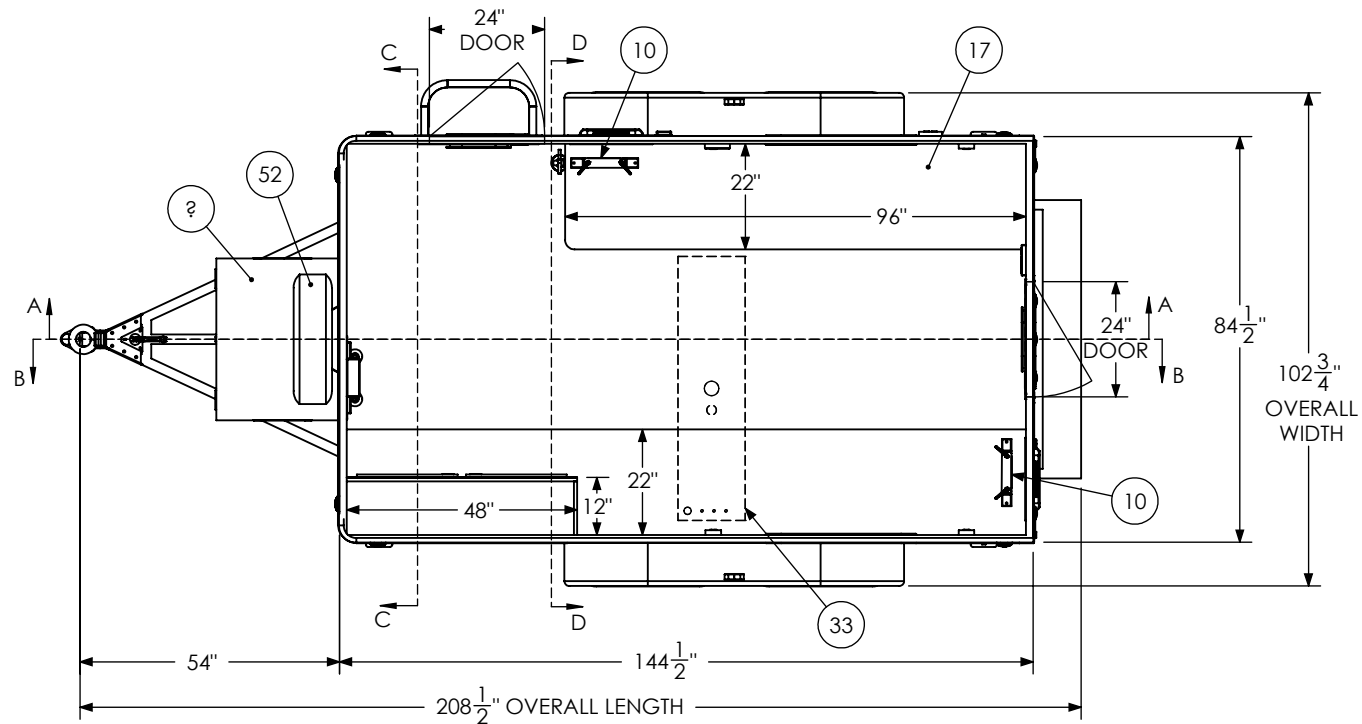


ITEM NO.	FILE NAME	DESCRIPTION	QTY.
2	Adjustable Height Hitch		1
3	Air Conditioner	13,500 BTU	1
4	Arrow Light	LED	1
5	Arrow Light Switch		1
6	Axle, Dexter	3500#, 22.5 DOWN, 95HF, 80AB FOST	2
7	Battery Box		1
8	Battery Vent		1
9	CO Detector		1
10	Cable Clamp Assembly 2		2
14	Door, Cable FOST	16"x18" LHS	2
15	Door, Entrance	24" x 72" RHS	2
16	Eye Wash Station		1
17	FOST7x12 Base Cabinet CS Assembly		1
18	FOST7x12 Base Cabinet RS Assembly		1
20	FOST7x12 Fuel Fill Cover		1
21	FOST7x12 Overhead Cabinet RS Assembly		1
29	Fire Extinguisher	1A: 10-B:C	1
30	First Aid Kit		1
31	Fuel Fill		1
32	Fuel Gauge		1
33	Fuel Tank ECI	ECI - 20 Gal. Top Fill	1
34	Gen Cover - 5.5 NPS		1
35	Generator	5.5 KW	1
36	Jack - Top Wind		1
37	Jack, Rear Stabilizer		4
38	License Plate Holder		1
39	Light	14.5" Surface Mount LED	6
40	Load Center	50 Amp L/C - 60 Amp Conv	1
41	Loading Light - LED	13.7" 12V Loading Light	2
42	Motorbase Plug	50 Amp	1
43	Outlet	120V - Exterior GFCI	1
44	Outlet	120V 15 Amp	5
45	Outlet	USB - Dual Charge	1
46	Radio - iTRV	JWM40	1
49	Remote Start		1
50	Roof Vent		1
51	Slide Out Step	24" Wide	1
52	Spare Tire Assembly		1
53	Speaker		4
54	Strobe Light		1
55	Switch	12v Cutoff	1
56	Switch	Roof Vent	1
57	Switch	2 - 12V Switches	1
58	Switch	3 - 12V Switches	1
61	Tire	ST205/75R15	4
62	Transfer Switch, Automatic	PD52DCS	1
63	Wall Heater	5200 BTU	1
64	Window	30" x 20" Vertical	2



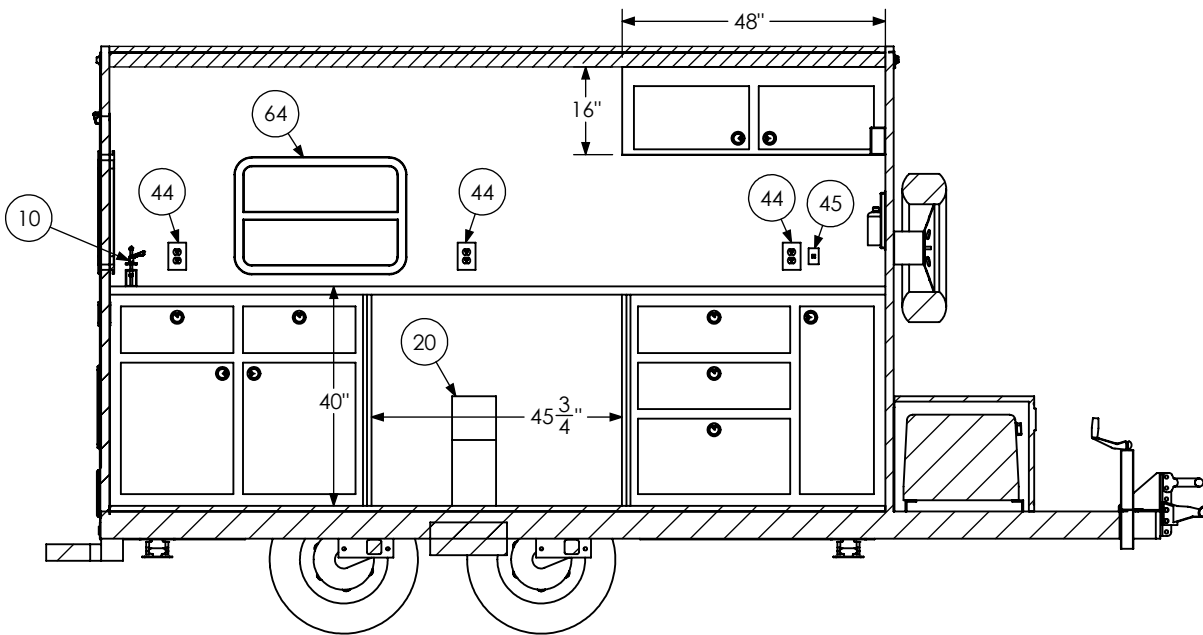
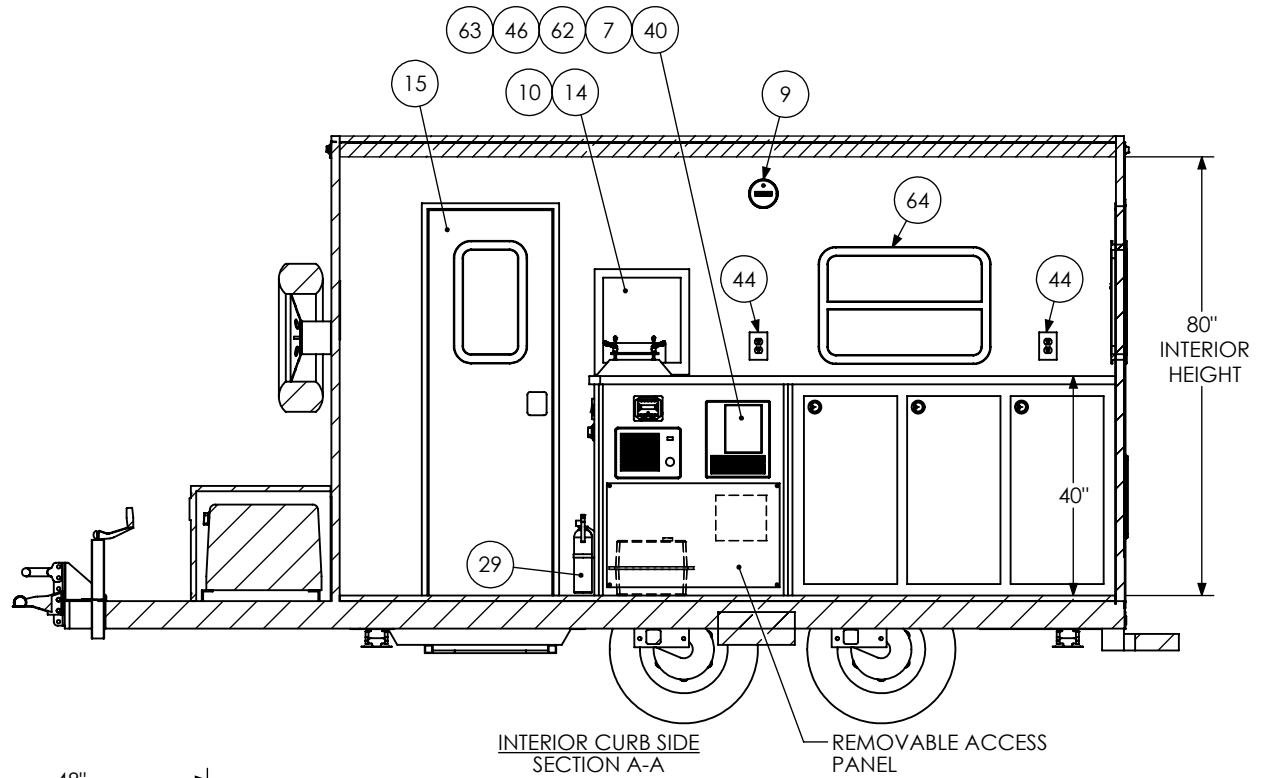
	NAME	DATE	<b>inTech Trailers</b>	
DRAWN	JJP	5/11/2022	<b>inTech FOST7x12TA2 BOM</b>	
CHECKED				
ENG APPR.				
<small>ALL DIMENSIONS ARE IN INCHES AND ARE NOMINAL. DIMENSIONS ON ACTUAL TRAILER MAY VARY FROM WHAT IS SHOWN ON PRINT BASED ON ACTUAL FRAMING AND TRAILER STRUCTURE. UNLESS NOTED AS CRITICAL.</small>				
DWG. NO.		FOST7x12TA Trailer Assembly - 25279		REV. A
SCALE: 1:40				SHEET 1 OF 5

**PROPRIETARY AND CONFIDENTIAL**  
 THE INFORMATION CONTAINED IN THIS DRAWING IS THE SOLE PROPERTY OF INTECH TRAILERS. ANY REPRODUCTION IN PART OR AS A WHOLE WITHOUT THE WRITTEN PERMISSION OF INTECH TRAILERS IS PROHIBITED.



**PROPRIETARY AND CONFIDENTIAL**  
 THE INFORMATION CONTAINED IN THIS DRAWING IS THE  
 SOLE PROPERTY OF INTECH TRAILERS. ANY REPRODUCTION  
 IN PART OR AS A WHOLE WITHOUT THE WRITTEN PERMISSION  
 OF INTECH TRAILERS IS PROHIBITED.

	NAME	DATE	<b><i>inTech Trailers</i></b>	
DRAWN	JJP	5/11/2022	<b>inTech            FOST7x12TA2            FLOORPLAN</b>	
CHECKED				
ENG APPR.				
<small>ALL DIMENSIONS ARE IN INCHES            AND ARE NOMINAL. DIMENSIONS            ON ACTUAL TRAILER MAY VARY            FROM WHAT IS SHOWN ON PRINT            BASED ON ACTUAL FRAMING AND            TRAILER STRUCTURE. UNLESS            NOTED AS CRITICAL</small>			DWG. NO. FOST7x12TA Trailer Assembly - 25279	REV. A
SCALE: 1:40			SHEET 2 OF 5	



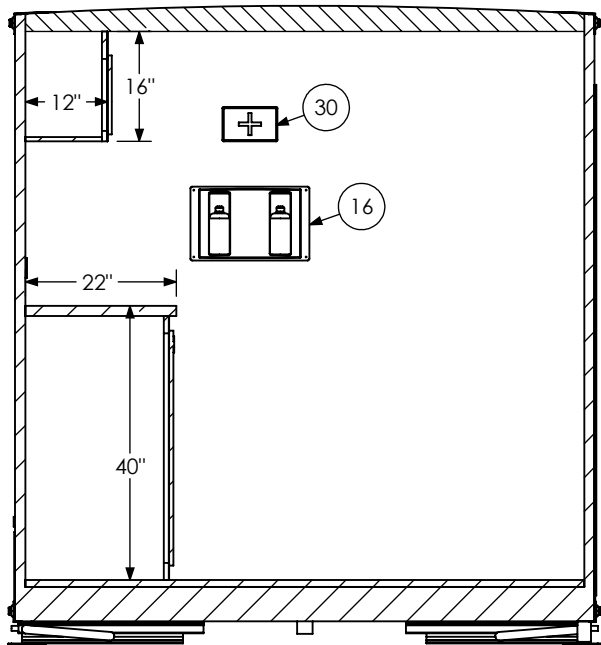
INTERIOR ROAD SIDE  
SECTION B-B

INTERIOR CURB SIDE  
SECTION A-A

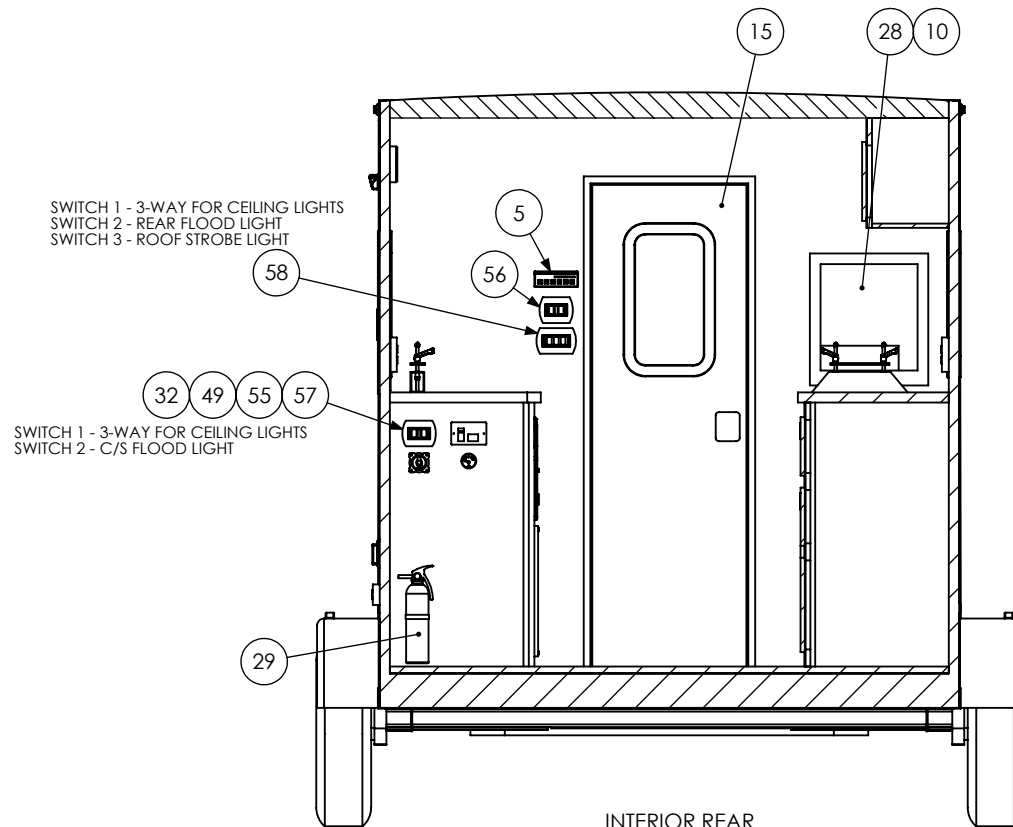
REMOVABLE ACCESS  
PANEL

**PROPRIETARY AND CONFIDENTIAL**  
THE INFORMATION CONTAINED IN THIS DRAWING IS THE  
SOLE PROPERTY OF INTECH TRAILERS. ANY REPRODUCTION  
IN PART OR AS A WHOLE WITHOUT THE WRITTEN PERMISSION  
OF INTECH TRAILERS IS PROHIBITED.

	NAME	DATE	<b><i>inTech Trailers</i></b>	
DRAWN	JJP	5/11/2022	<b>inTech FOST7x12TA2 INTERIOR SIDES</b>	
CHECKED				
ENG APPR.				
ALL DIMENSIONS ARE IN INCHES AND ARE NOMINAL. DIMENSIONS ON ACTUAL TRAILER MAY VARY FROM WHAT IS SHOWN ON PRINT BASED ON ACTUAL FRAMING AND TRAILER STRUCTURE. UNLESS NOTED AS CRITICAL			DWG. NO. FOST7x12TA Trailer Assembly - 25279	REV. A
SCALE: 1:35			SHEET 3 OF 5	



INTERIOR FRONT  
SECTION C-C



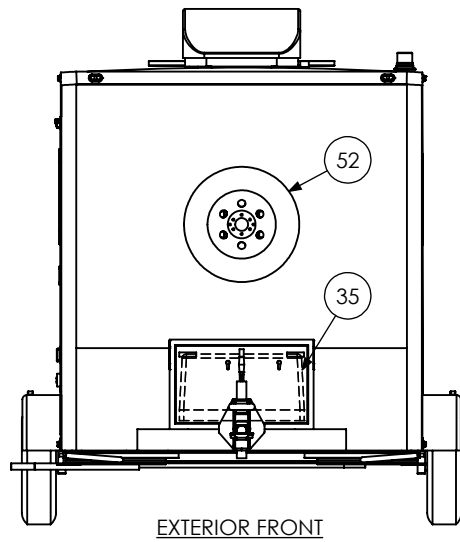
INTERIOR REAR  
SECTION D-D

SWITCH 1 - 3-WAY FOR CEILING LIGHTS  
SWITCH 2 - REAR FLOOD LIGHT  
SWITCH 3 - ROOF STROBE LIGHT

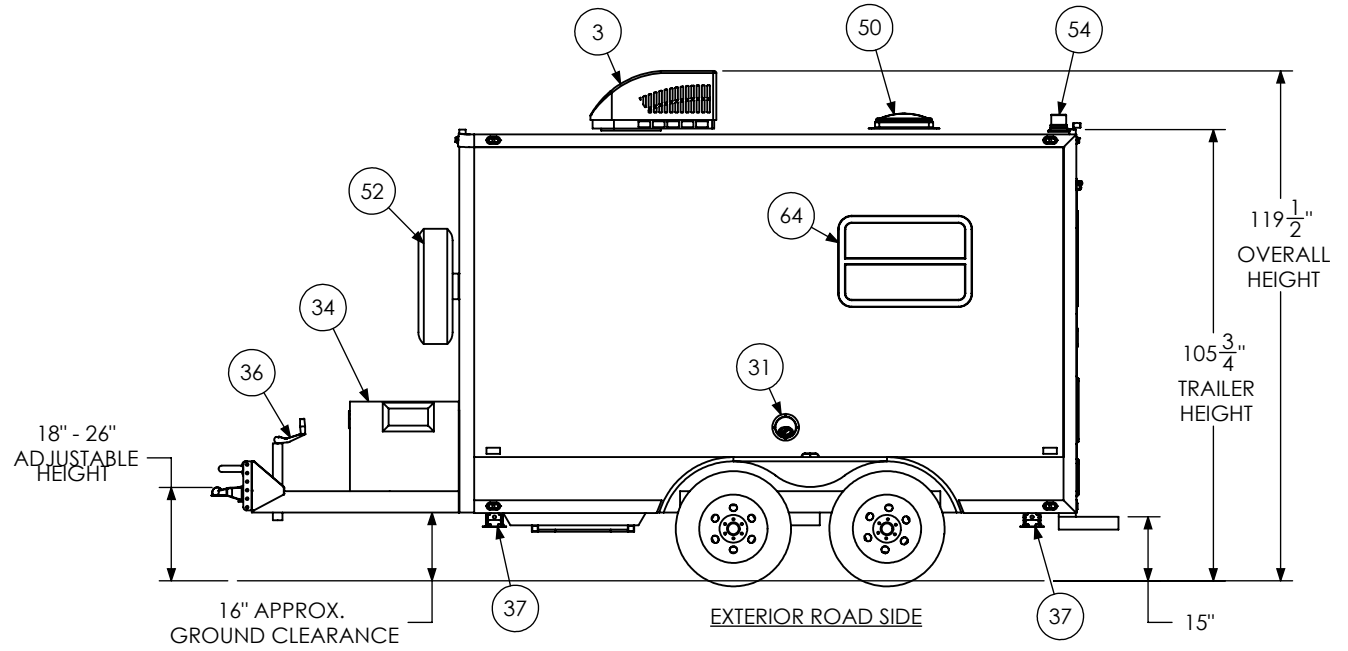
SWITCH 1 - 3-WAY FOR CEILING LIGHTS  
SWITCH 2 - C/S FLOOD LIGHT

	NAME	DATE	<b>inTech Trailers</b>  inTech FOST7x12TA2 INTERIOR FRONT & BACK		
DRAWN	JJP	5/11/2022			
CHECKED					
ENG APPR.					
ALL DIMENSIONS ARE IN INCHES AND ARE NOMINAL. DIMENSIONS ON ACTUAL TRAILER MAY VARY FROM WHAT IS SHOWN ON PRINT BASED ON ACTUAL FRAMING AND TRAILER STRUCTURE. UNLESS NOTED AS CRITICAL			DWG. NO.	REV.	
			FOST7x12TA Trailer Assembly - 25279		A
			SCALE: 1:28	SHEET 4 OF 5	

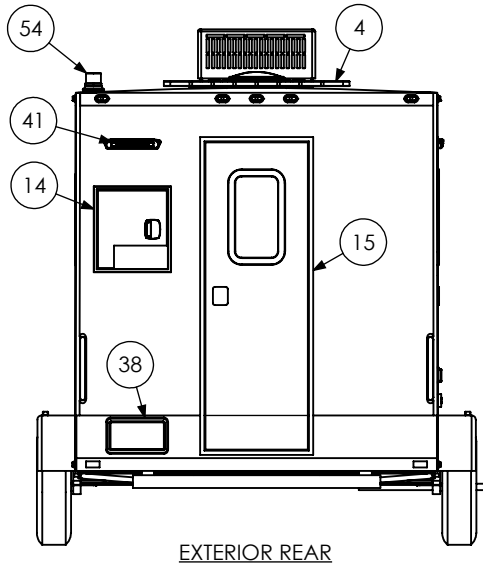
**PROPRIETARY AND CONFIDENTIAL**  
 THE INFORMATION CONTAINED IN THIS DRAWING IS THE  
 SOLE PROPERTY OF INTECH TRAILERS. ANY REPRODUCTION  
 IN PART OR AS A WHOLE WITHOUT THE WRITTEN PERMISSION  
 OF INTECH TRAILERS IS PROHIBITED.



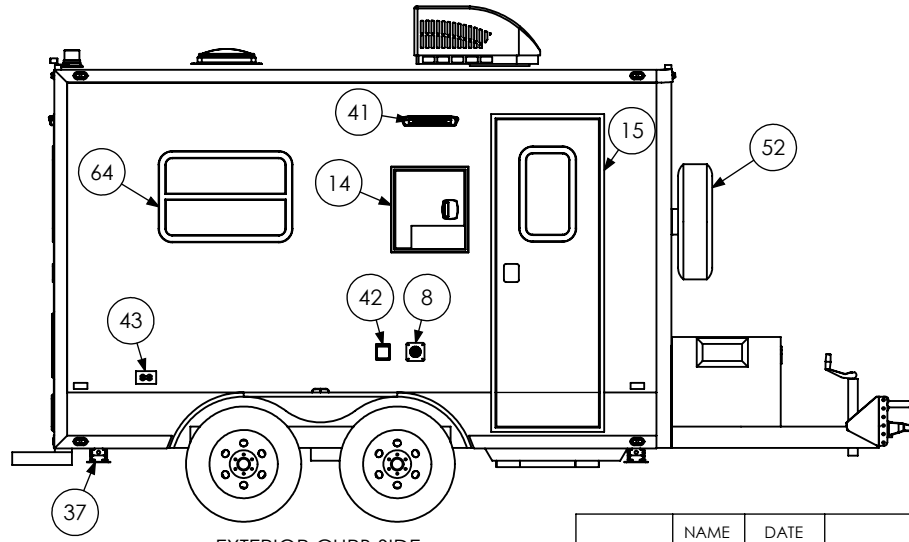
EXTERIOR FRONT



EXTERIOR ROAD SIDE



EXTERIOR REAR



EXTERIOR CURB SIDE

	NAME	DATE	<b>inTech Trailers</b>  inTech FOST7x12TA2 EXTERIOR	
DRAWN	JJP	5/11/2022		
CHECKED				
ENG APPR.				
ALL DIMENSIONS ARE IN INCHES AND ARE NOMINAL. DIMENSIONS ON ACTUAL TRAILER MAY VARY FROM WHAT IS SHOWN ON PRINT BASED ON ACTUAL FRAMING AND TRAILER STRUCTURE. UNLESS NOTED AS CRITICAL.			DWG. NO.	REV.
			FOST7x12TA Trailer Assembly - 25279	A
SCALE: 1:45			SHEET 5 OF 5	

**PROPRIETARY AND CONFIDENTIAL**  
 THE INFORMATION CONTAINED IN THIS DRAWING IS THE SOLE PROPERTY OF INTECH TRAILERS. ANY REPRODUCTION IN PART OR AS A WHOLE WITHOUT THE WRITTEN PERMISSION OF INTECH TRAILERS IS PROHIBITED.