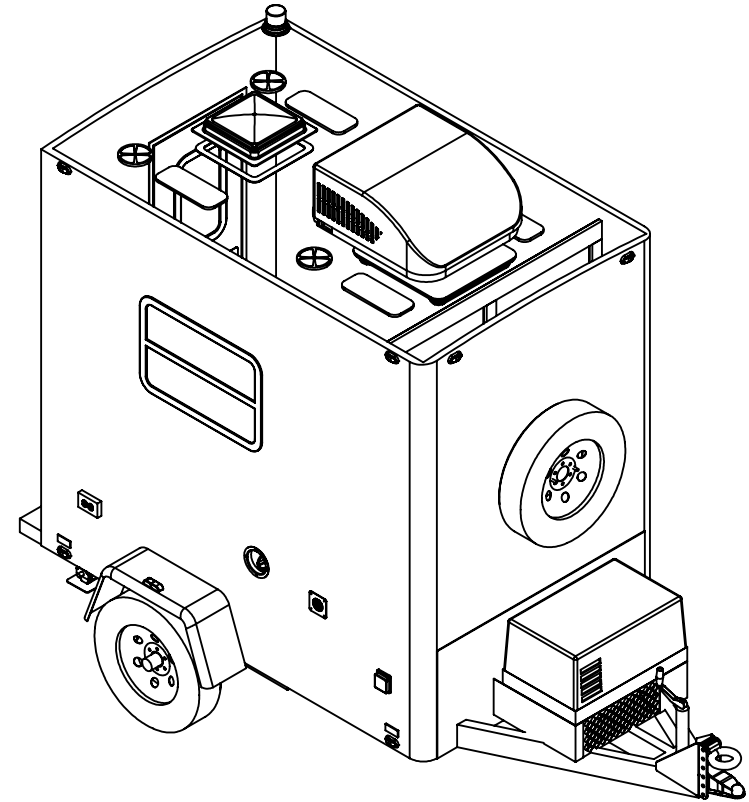
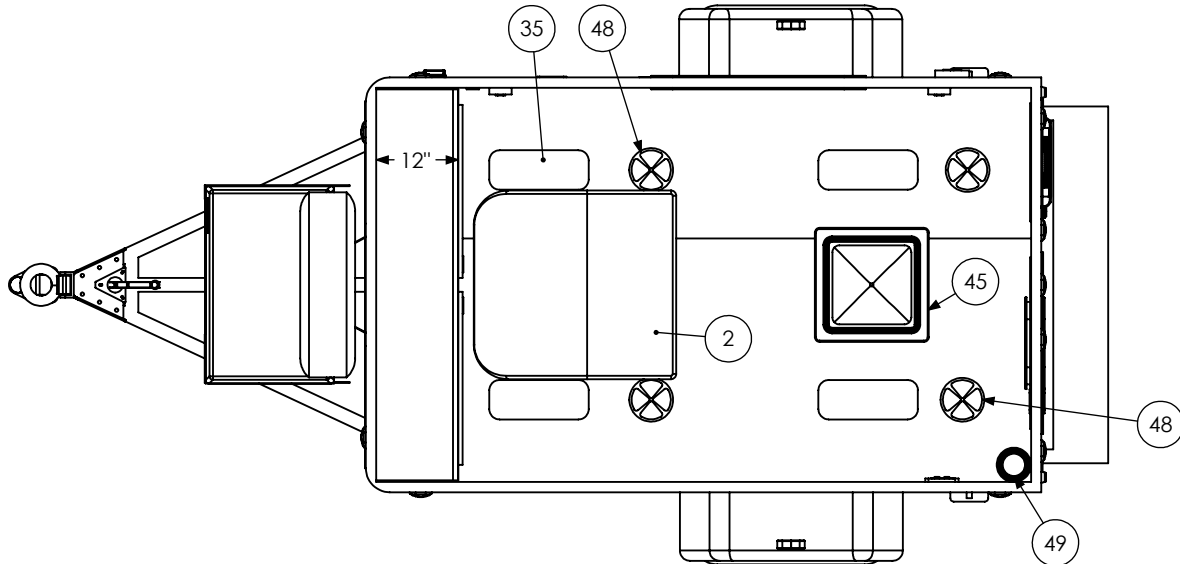
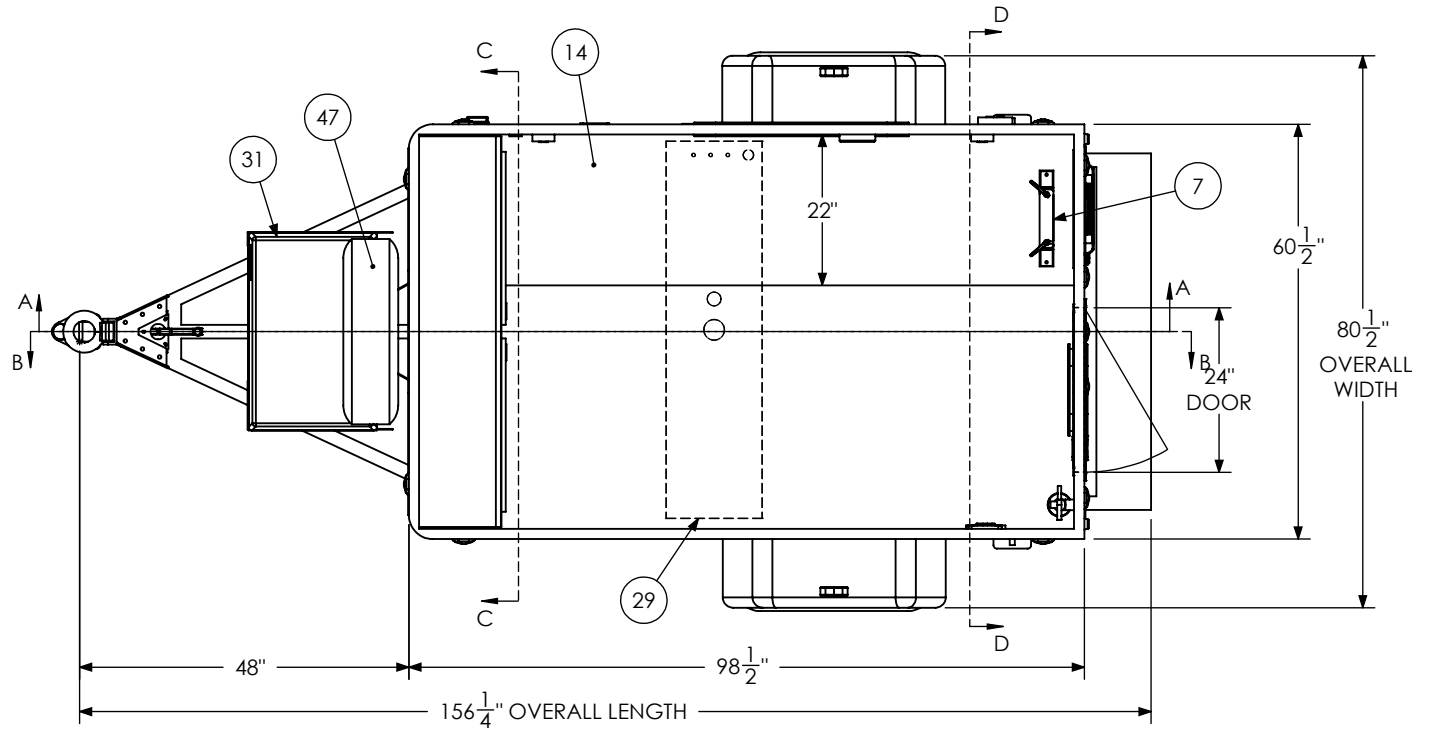


ITEM NO.	FILE NAME	DESCRIPTION	QTY.
1	Adjustable Height Hitch		1
2	Air Conditioner	13,500 BTU	1
3	Axle, Dexter	3500#, 22.5 DOWN, 73.5HF, 60AB FOST	1
4	Battery Box		1
5	Battery Vent		1
6	CO Detector		1
7	Cable Clamp Assembly 2		1
11	Door, Cable FOST	16"x18" RHS	1
12	Door, Entrance	24" x 72" RHS	1
13	Eye Wash Station		1
14	FOST5x8 Base Cabinet CS Assembly		1
15	FOST5x8 Fuel Fill Cover		1
16	FOST5x8 Overhead Cabinet Assembly		1
25	Fire Extinguisher	1A: 10-B:C	1
26	First Aid Kit		1
27	Fuel Fill		1
28	Fuel Gauge		1
29	Fuel Tank ECI	ECI - 20 Gal. Top Fill	1
31	Generator	4.0 KW Gas	1
32	Jack - Top Wind		1
33	Jack, Rear Stabilizer		2
34	License Plate Holder		1
35	Light	14.5" Surface Mount LED	4
36	Load Center	30 Amp L/C - 60 Amp Conv	1
37	Loading Light - LED	13.7" 12V Loading Light	1
38	Motorbase Plug	30 Amp	1
39	Outlet	120V 15 Amp	3
40	Outlet	USB - Dual Charge	1
41	Radio - iTRV	JWM40	1
44	Remote Start		1
45	Roof Vent		1
47	Spare Tire Assembly		1
48	Speaker		4
49	Strobe Light		1
50	Switch	12v Cutoff	1
51	Switch	Roof Vent	1
52	Switch	3 - 12V Switches	1
54	Tire	ST205/75R15	2
55	Transfer Switch, Automatic	PD52DCS	1
56	Wall Heater	5200 BTU	1
57	Window	30" x 20" Vertical	1

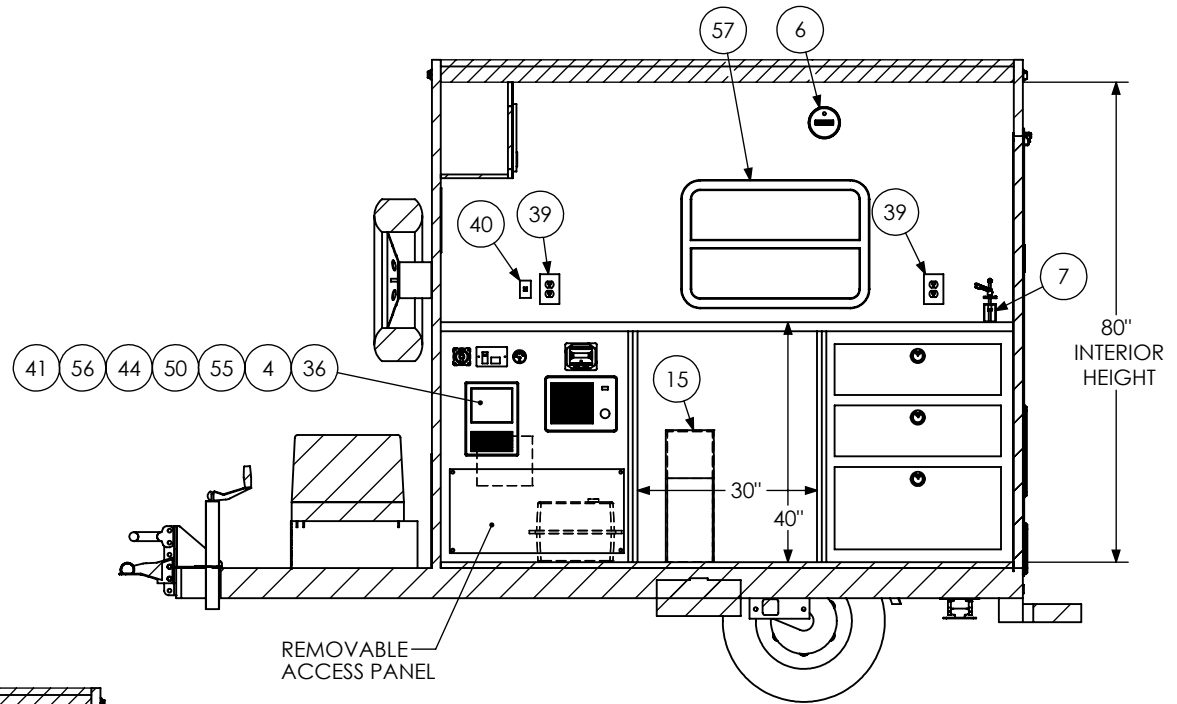


	NAME	DATE	inTech Trailers	
DRAWN	JJP	10/18/2022	inTech-26825 FOST5x8SA BOM	
CHECKED				
ENG APPR.				
<small>ALL DIMENSIONS ARE IN INCHES AND ARE NOMINAL. DIMENSIONS ON ACTUAL TRAILER MAY VARY FROM WHAT IS SHOWN ON PRINT BASED ON ACTUAL FRAMING AND TRAILER STRUCTURE. UNLESS NOTED AS CRITICAL.</small>			DWG. NO. FOST5x8SA Trailer Assembly - 26824	REV. C
<small>PROPRIETARY AND CONFIDENTIAL THE INFORMATION CONTAINED IN THIS DRAWING IS THE SOLE PROPERTY OF INTECH TRAILERS. ANY REPRODUCTION IN PART OR AS A WHOLE WITHOUT THE WRITTEN PERMISSION OF INTECH TRAILERS IS PROHIBITED.</small>			SCALE: 1:35	SHEET 1 OF 5

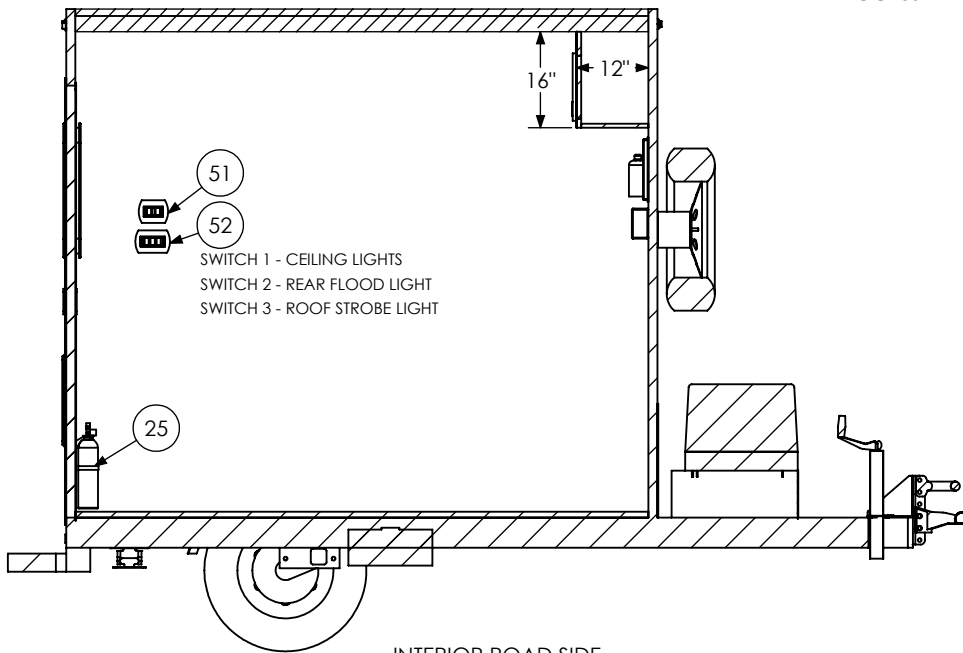


PROPRIETARY AND CONFIDENTIAL
 THE INFORMATION CONTAINED IN THIS DRAWING IS THE SOLE PROPERTY OF INTECH TRAILERS. ANY REPRODUCTION IN PART OR AS A WHOLE WITHOUT THE WRITTEN PERMISSION OF INTECH TRAILERS IS PROHIBITED.

	NAME	DATE	inTech Trailers	
DRAWN	JJP	10/18/2022	inTech-26825 FOST5x8SA FLOORPLAN	
CHECKED				
ENG APPR.				
ALL DIMENSIONS ARE IN INCHES AND ARE NOMINAL. DIMENSIONS ON ACTUAL TRAILER MAY VARY FROM WHAT IS SHOWN ON PRINT BASED ON ACTUAL FRAMING AND TRAILER STRUCTURE. UNLESS NOTED AS CRITICAL.			DWG. NO. FOST5x8SA Trailer Assembly - 26824	REV. C
SCALE: 1:28			SHEET 2 OF 5	



INTERIOR CURB SIDE SECTION A-A

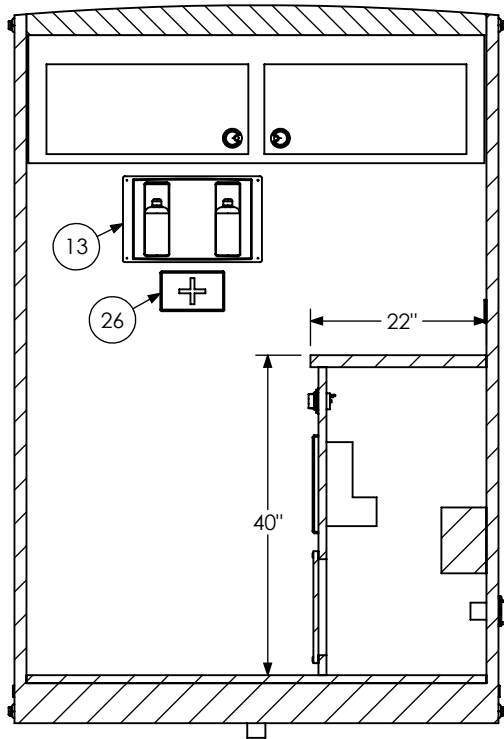


SWITCH 1 - CEILING LIGHTS
 SWITCH 2 - REAR FLOOD LIGHT
 SWITCH 3 - ROOF STROBE LIGHT

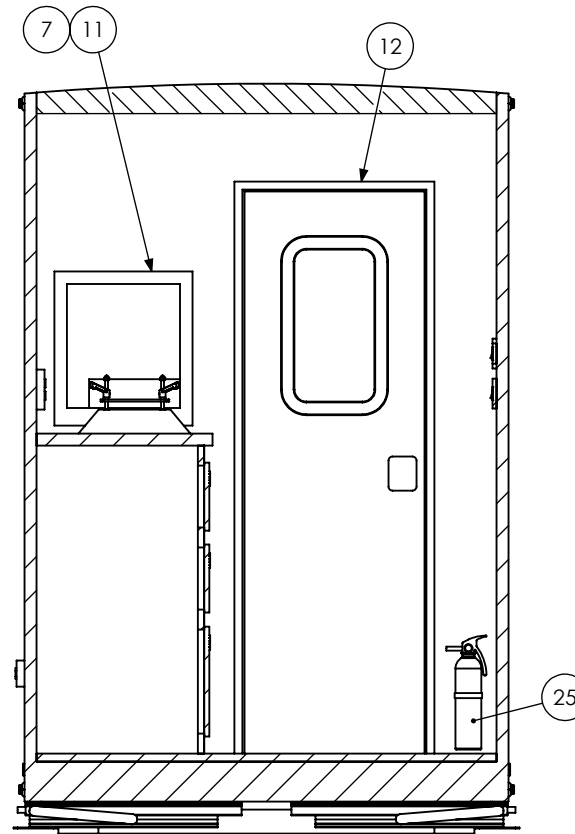
INTERIOR ROAD SIDE SECTION B-B

PROPRIETARY AND CONFIDENTIAL
 THE INFORMATION CONTAINED IN THIS DRAWING IS THE SOLE PROPERTY OF INTECH TRAILERS. ANY REPRODUCTION IN PART OR AS A WHOLE WITHOUT THE WRITTEN PERMISSION OF INTECH TRAILERS IS PROHIBITED.

	NAME	DATE	inTech Trailers inTech-26825 FOST5x8SA INTERIOR SIDES	
DRAWN	JJP	10/18/2022		
CHECKED				
ENG APPR.				
ALL DIMENSIONS ARE IN INCHES AND ARE NOMINAL. DIMENSIONS ON ACTUAL TRAILER MAY VARY FROM WHAT IS SHOWN ON PRINT BASED ON ACTUAL FRAMING AND TRAILER STRUCTURE. UNLESS NOTED AS CRITICAL.			DWG. NO. FOST5x8SA Trailer Assembly - 26824	REV. C
SCALE: 1:32			SHEET 3 OF 5	



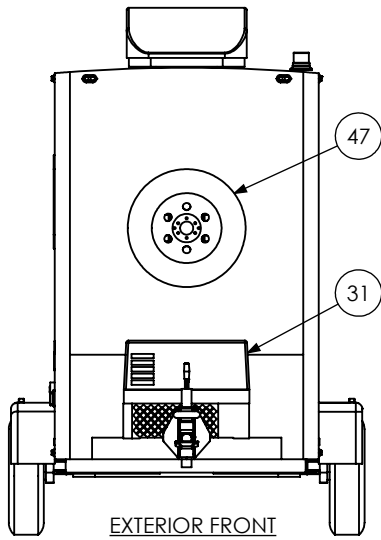
INTERIOR FRONT
SECTION C-C



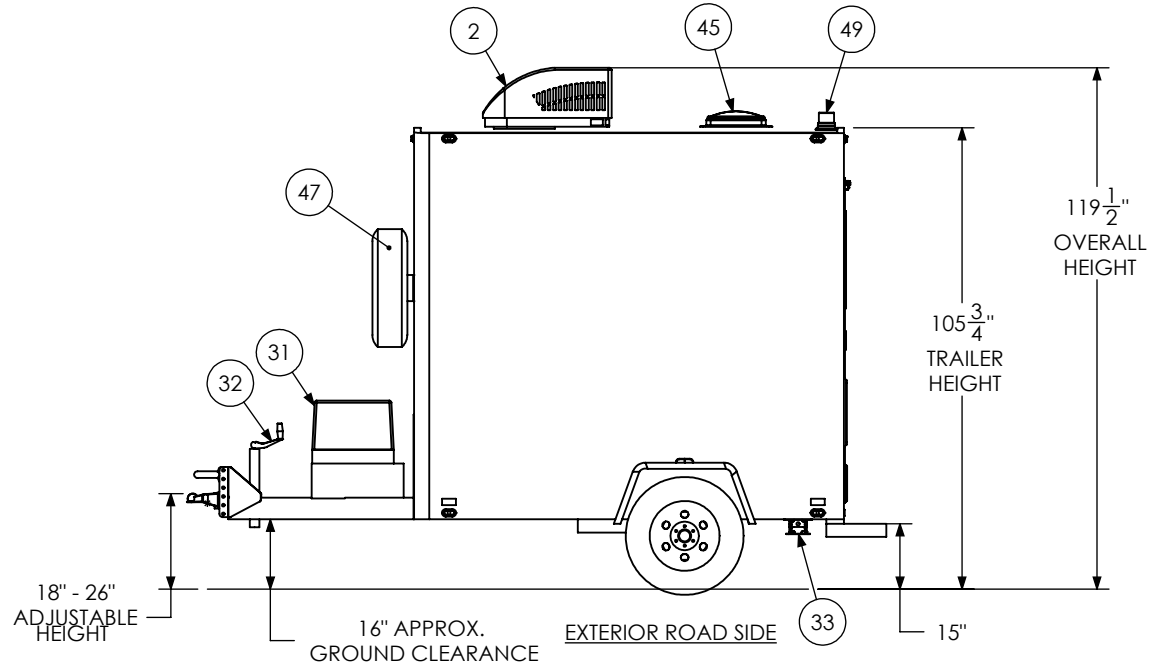
INTERIOR REAR
SECTION D-D

	NAME	DATE	inTech Trailers inTech-26825 FOST5x8SA INTERIOR FRONT & BACK	
DRAWN	JJP	10/18/2022		
CHECKED				
ENG APPR.				
ALL DIMENSIONS ARE IN INCHES AND ARE NOMINAL. DIMENSIONS ON ACTUAL TRAILER MAY VARY FROM WHAT IS SHOWN ON PRINT BASED ON ACTUAL FRAMING AND TRAILER STRUCTURE. UNLESS NOTED AS CRITICAL.			DWG. NO. FOST5x8SA Trailer Assembly - 26824	REV. C
			SCALE: 1:24	SHEET 4 OF 5

PROPRIETARY AND CONFIDENTIAL
THE INFORMATION CONTAINED IN THIS DRAWING IS THE SOLE PROPERTY OF INTECH TRAILERS. ANY REPRODUCTION IN PART OR AS A WHOLE WITHOUT THE WRITTEN PERMISSION OF INTECH TRAILERS IS PROHIBITED.



EXTERIOR FRONT



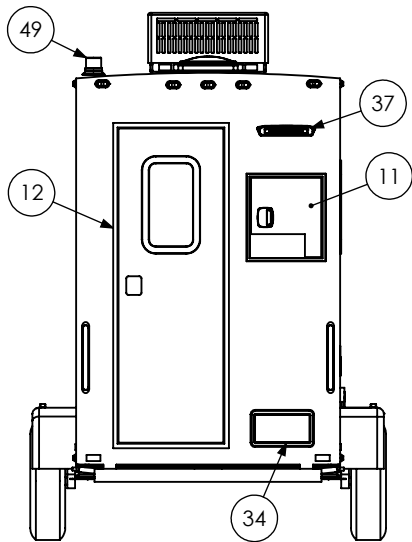
18" - 26"
ADJUSTABLE
HEIGHT

16" APPROX.
GROUND CLEARANCE

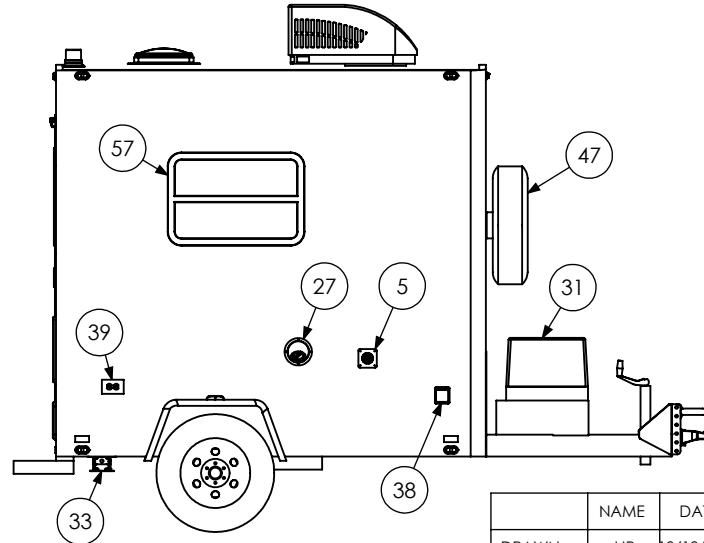
EXTERIOR ROAD SIDE

119 ¹/₂"
OVERALL
HEIGHT

105 ³/₄"
TRAILER
HEIGHT



EXTERIOR REAR



EXTERIOR CURB SIDE

	NAME	DATE
DRAWN	JJP	10/18/2022
CHECKED		
ENG APPR.		

ALL DIMENSIONS ARE IN INCHES AND ARE NOMINAL. DIMENSIONS ON ACTUAL TRAILER MAY VARY FROM WHAT IS SHOWN ON PRINT BASED ON ACTUAL FRAMING AND TRAILER STRUCTURE. UNLESS NOTED AS CRITICAL

inTech Trailers

inTech-26825
FOST5x8SA
EXTERIOR

DWG. NO.
FOST5x8SA Trailer Assembly - 26824

REV.
C

SCALE: 1:44

SHEET 5 OF 5

PROPRIETARY AND CONFIDENTIAL
THE INFORMATION CONTAINED IN THIS DRAWING IS THE SOLE PROPERTY OF INTECH TRAILERS. ANY REPRODUCTION IN PART OR AS A WHOLE WITHOUT THE WRITTEN PERMISSION OF INTECH TRAILERS IS PROHIBITED.