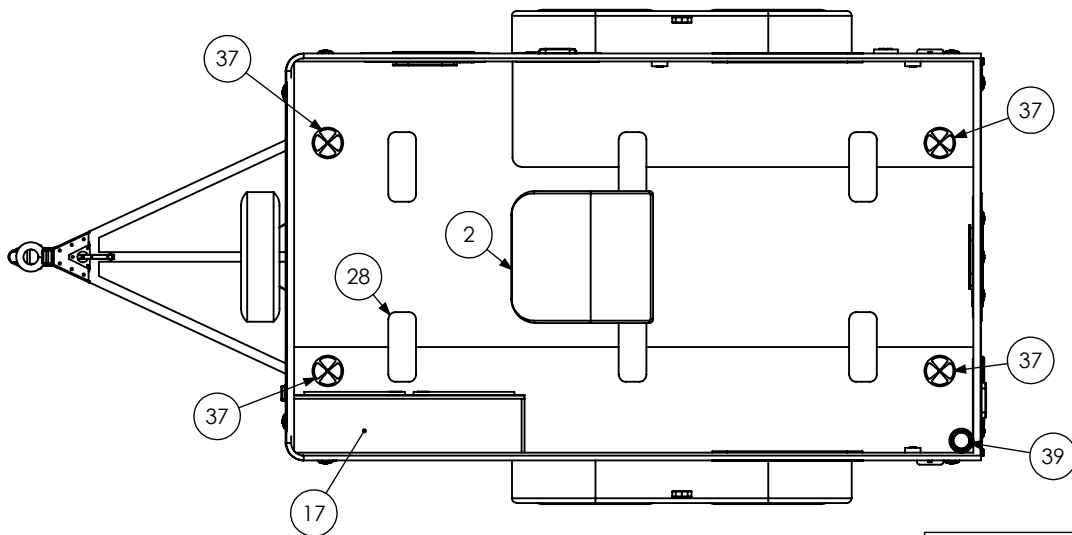
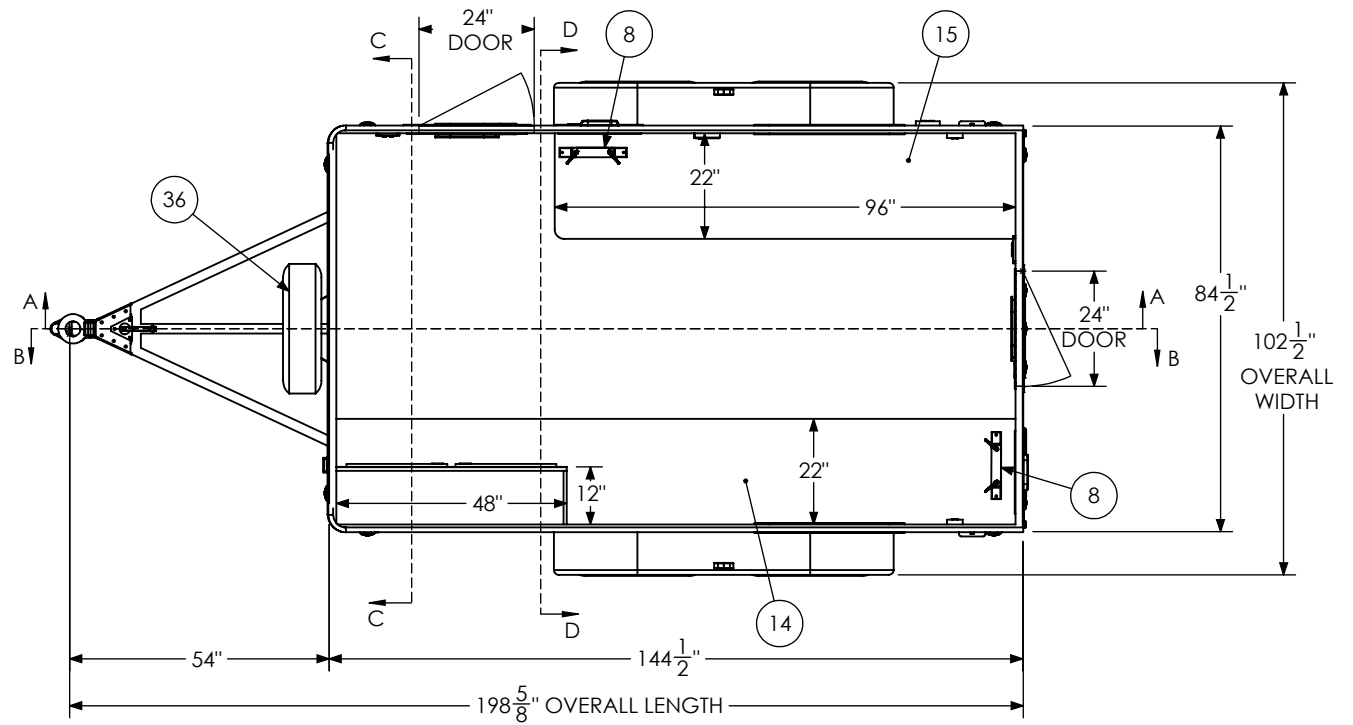


ITEM NO.	FILE NAME	DESCRIPTION	QTY.
1	Adjustable Height Hitch		1
2	Air Conditioner	13,500 BTU	1
3	Axle, Dexter	3500#, 22.5 DOWN, 95HF, 80AB FOST	2
4	Heater, Baseboard		1
5	Battery Box		1
6	Battery Vent		1
7	CO Detector		1
8	Cable Clamp Assembly 2		2
12	Door, Cable FOST	16"x18" LHS	2
13	Door, Entrance	24" x 72" RHS	2
14	FOST7x12-L Base Cabinet Assembly		1
15	FOST7x12-L Countertop CS		1
17	FOST7x12-L Overhead Cabinet RS Assembly		1
18	Jack - Top Wind		1
19	Jack, Rear Stabilizer		2
26	Loading Light - LED	8" 12V Loading Light	2
27	License Plate Holder		1
28	Light	14.5" Surface Mount LED	6
29	Load Center	30 Amp L/C - 60 Amp Conv	1
30	Motorbase Plug	30 Amp	1
31	Outlet	120V 15 Amp	5
32	Outlet	USB - Dual Charge	1
33	Radio - iTRV	JWM40	1
36	Spare Tire Assembly		1
37	Speaker		4
38	Speed Brace		5
39	Strobe Light		1
40	Switch	2 - 12V Switches	1
41	Switch	12v Cutoff	1
42	Switch	3 - 12V Switches	1
45	Tire	ST205/75R15	4
46	Window	30" x 20" Vertical	2

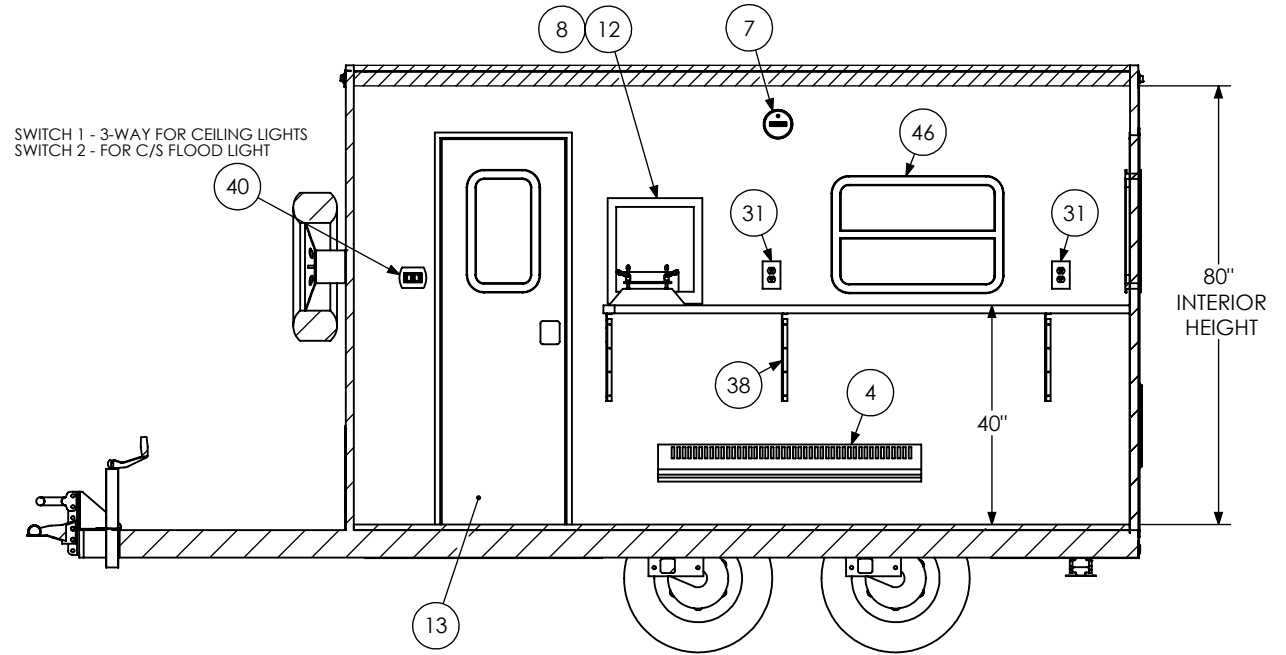
	NAME	DATE	inTech Trailers	
DRAWN	JJP	10/18/2022	inTech-26826 FOST7x12TA-L BOM	
CHECKED				
ENG APPR.				
<small>ALL DIMENSIONS ARE IN INCHES AND ARE NOMINAL. DIMENSIONS ON ACTUAL TRAILER MAY VARY FROM WHAT IS SHOWN ON PRINT BASED ON ACTUAL FRAMING AND TRAILER STRUCTURE. UNLESS NOTED AS CRITICAL.</small>			DWG. NO.	REV.
			FOST7x12TA-L Trailer Assembly - 26826	C
SCALE: 1:100			SHEET 1 OF 5	

PROPRIETARY AND CONFIDENTIAL
 THE INFORMATION CONTAINED IN THIS DRAWING IS THE SOLE PROPERTY OF INTECH TRAILERS. ANY REPRODUCTION IN PART OR AS A WHOLE WITHOUT THE WRITTEN PERMISSION OF INTECH TRAILERS IS PROHIBITED.

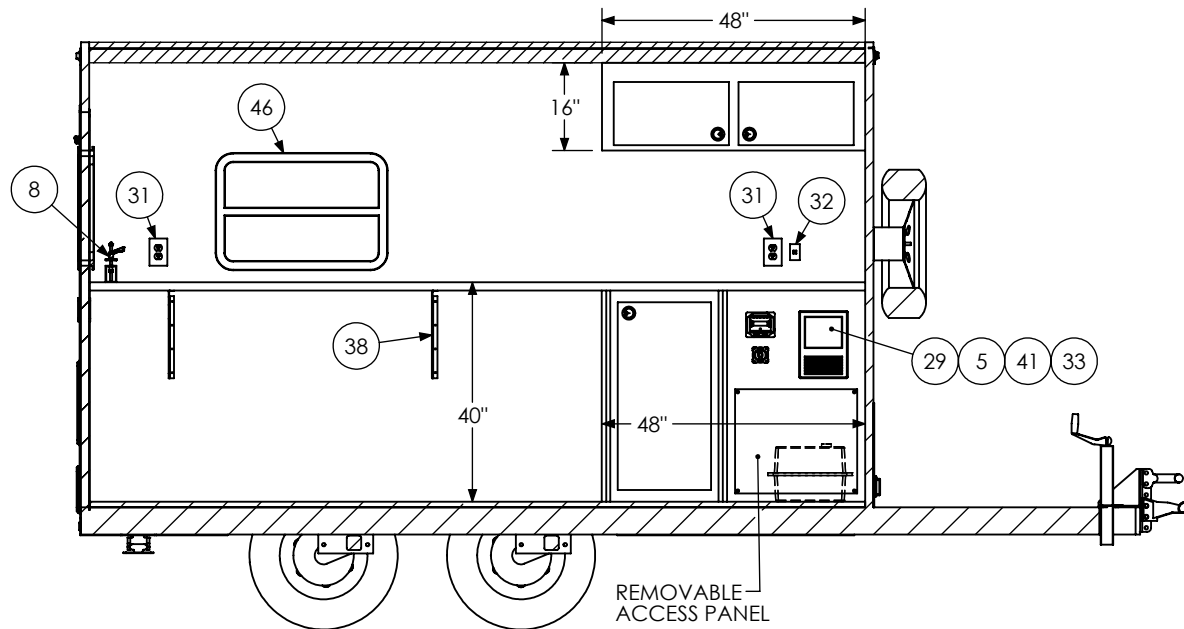


PROPRIETARY AND CONFIDENTIAL
 THE INFORMATION CONTAINED IN THIS DRAWING IS THE SOLE PROPERTY OF INTECH TRAILERS. ANY REPRODUCTION IN PART OR AS A WHOLE WITHOUT THE WRITTEN PERMISSION OF INTECH TRAILERS IS PROHIBITED.

	NAME	DATE	<i>inTech Trailers</i>	
DRAWN	JJP	10/18/2022	inTech-26826 FOST7x12TA-L FLOORPLAN	
CHECKED				
ENG APPR.				
ALL DIMENSIONS ARE IN INCHES AND ARE NOMINAL. DIMENSIONS ON ACTUAL TRAILER MAY VARY FROM WHAT IS SHOWN ON PRINT BASED ON ACTUAL FRAMING AND TRAILER STRUCTURE. UNLESS NOTED AS CRITICAL.			DWG. NO. FOST7x12TA-L Trailer Assembly - 26826	REV. C
SCALE: 1:40			SHEET 2 OF 5	



INTERIOR CURB SIDE
SECTION A-A

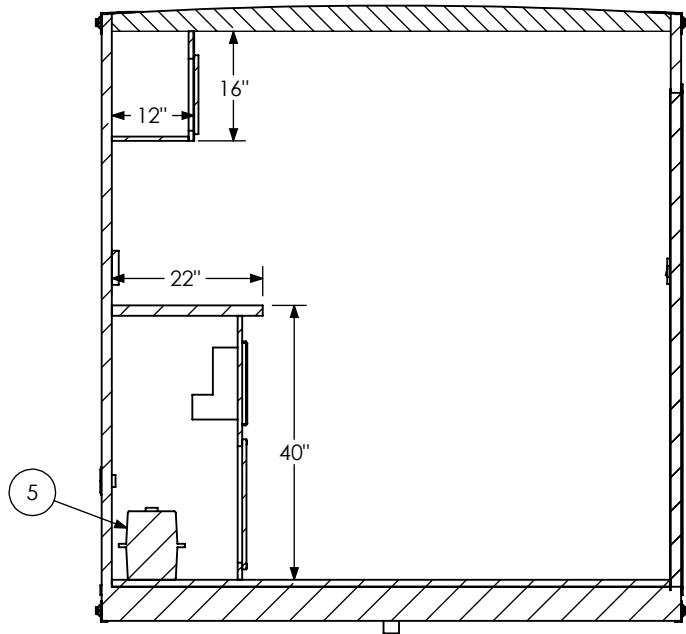


INTERIOR ROAD SIDE
SECTION B-B

REMOVABLE
ACCESS PANEL

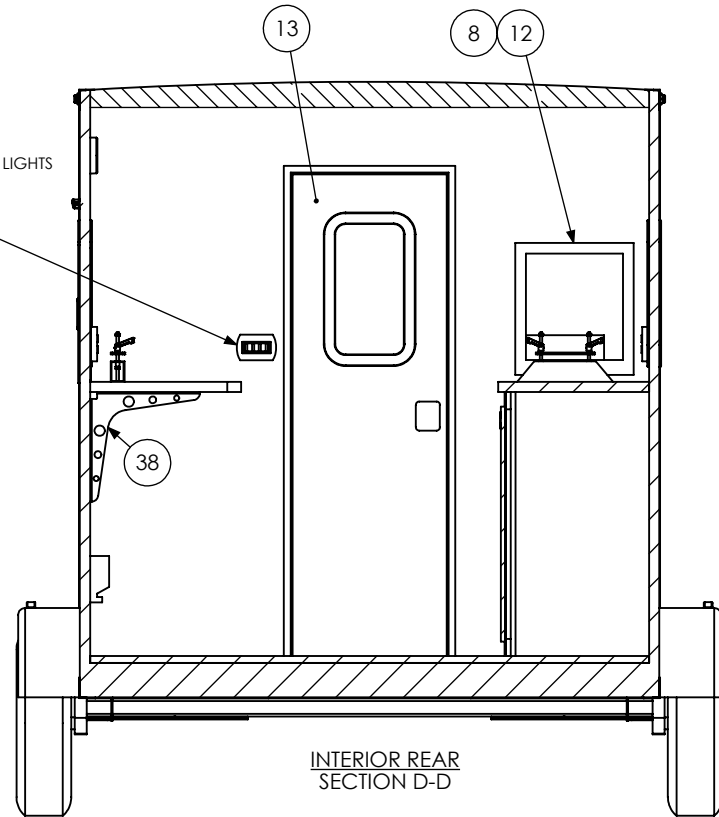
PROPRIETARY AND CONFIDENTIAL
THE INFORMATION CONTAINED IN THIS DRAWING IS THE
SOLE PROPERTY OF INTECH TRAILERS. ANY REPRODUCTION
IN PART OR AS A WHOLE WITHOUT THE WRITTEN PERMISSION
OF INTECH TRAILERS IS PROHIBITED.

	NAME	DATE	inTech Trailers	
DRAWN	JJP	10/18/2022	inTech-26826 FOST7x12TA-L INTERIOR SIDES	
CHECKED				
ENG APPR.				
ALL DIMENSIONS ARE IN INCHES AND ARE NOMINAL. DIMENSIONS ON ACTUAL TRAILER MAY VARY FROM WHAT IS SHOWN ON PRINT BASED ON ACTUAL FRAMING AND TRAILER STRUCTURE. UNLESS NOTED AS CRITICAL			DWG. NO. FOST7x12TA-L Trailer Assembly - 26826	REV. C
			SCALE: 1:35	SHEET 3 OF 5



INTERIOR FRONT
SECTION C-C

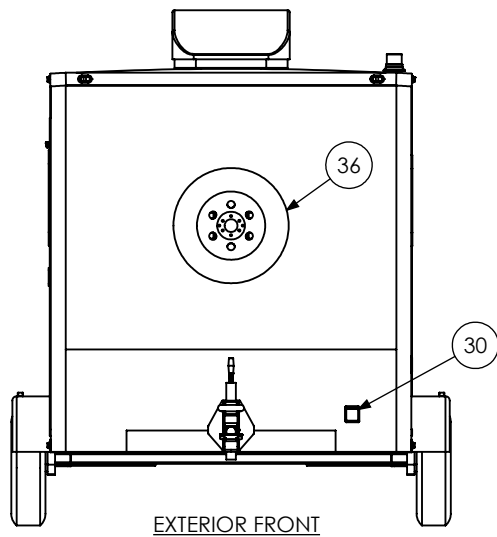
SWITCH 1 - 3-WAY FOR CEILING LIGHTS
 SWITCH 2 - REAR FLOOD LIGHT
 SWITCH 3 - ROOF STROBE LIGHT



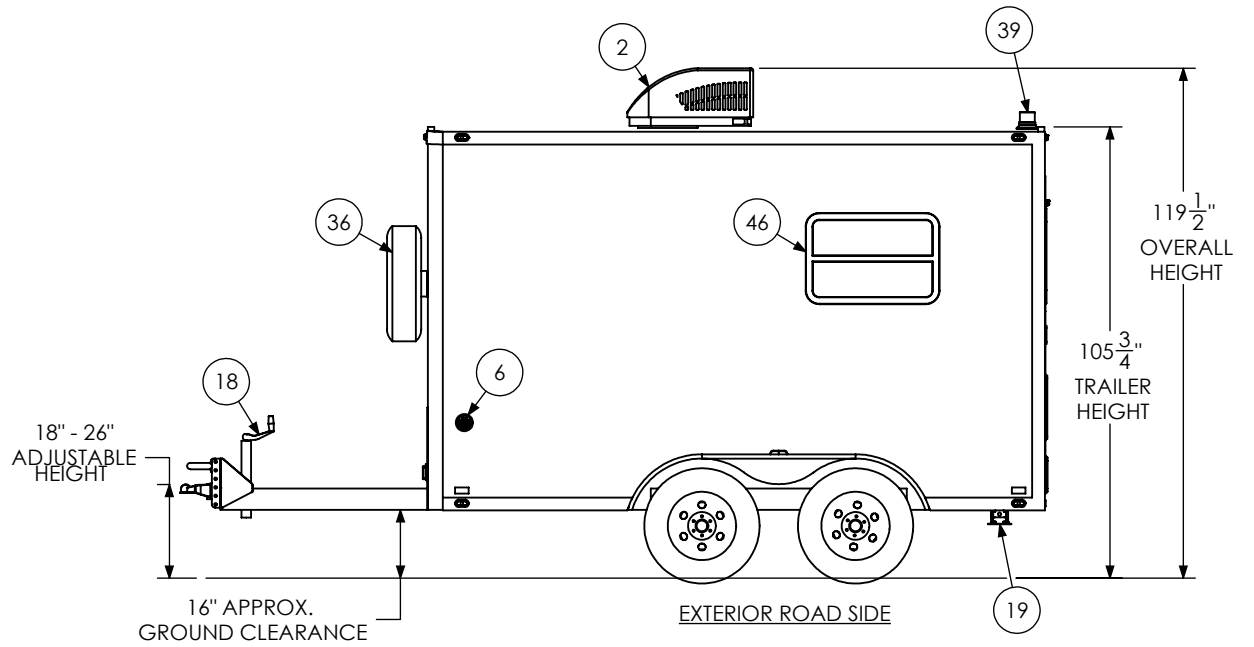
INTERIOR REAR
SECTION D-D

	NAME	DATE	inTech Trailers	
DRAWN	JJP	10/18/2022	inTech-26826 FOST7x12TA-L INTERIOR FRONT & BACK	
CHECKED				
ENG APPR.				
ALL DIMENSIONS ARE IN INCHES AND ARE NOMINAL. DIMENSIONS ON ACTUAL TRAILER MAY VARY FROM WHAT IS SHOWN ON PRINT BASED ON ACTUAL FRAMING AND TRAILER STRUCTURE. UNLESS NOTED AS CRITICAL			DWG. NO. FOST7x12TA-L Trailer Assembly - 26826	REV. C
			SCALE: 1:28	SHEET 4 OF 5

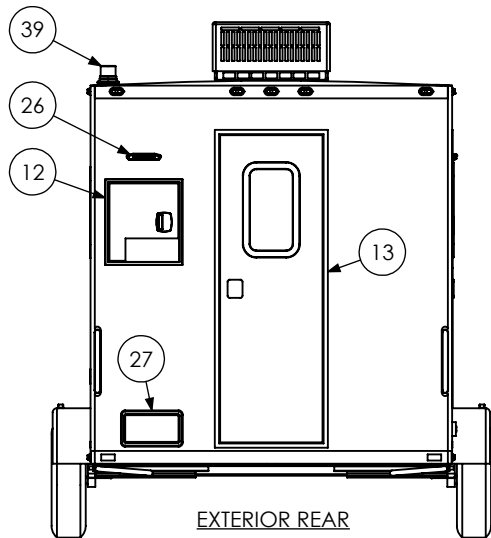
PROPRIETARY AND CONFIDENTIAL
 THE INFORMATION CONTAINED IN THIS DRAWING IS THE
 SOLE PROPERTY OF INTECH TRAILERS. ANY REPRODUCTION
 IN PART OR AS A WHOLE WITHOUT THE WRITTEN PERMISSION
 OF INTECH TRAILERS IS PROHIBITED.



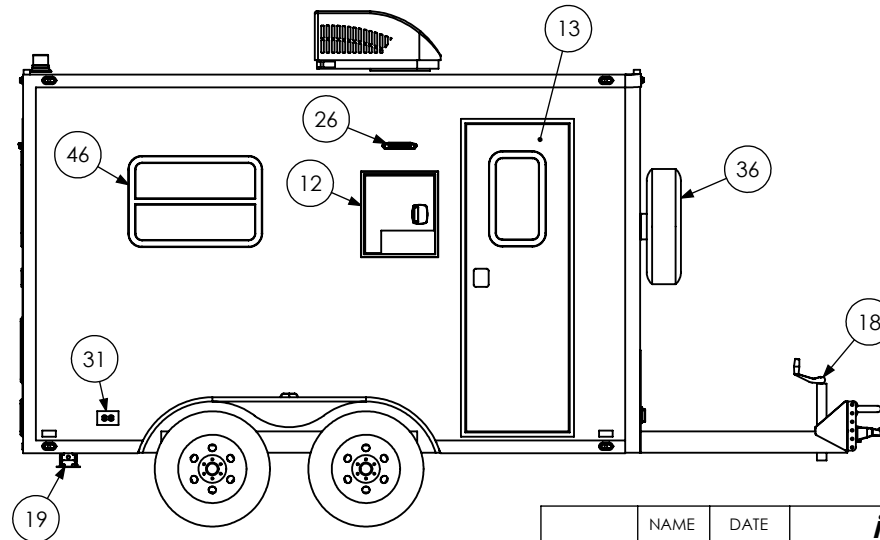
EXTERIOR FRONT



EXTERIOR ROAD SIDE



EXTERIOR REAR



EXTERIOR CURB SIDE

	NAME	DATE	inTech Trailers inTech-26826 FOST7x12TA-L EXTERIOR	
DRAWN	JJP	10/18/2022		
CHECKED				
ENG APPR.				
ALL DIMENSIONS ARE IN INCHES AND ARE NOMINAL. DIMENSIONS ON ACTUAL TRAILER MAY VARY FROM WHAT IS SHOWN ON PRINT BASED ON ACTUAL FRAMING AND TRAILER STRUCTURE. UNLESS NOTED AS CRITICAL.			DWG. NO.	REV.
			FOST7x12TA-L Trailer Assembly - 26826	C
			SCALE: 1:45	SHEET 5 OF 5

PROPRIETARY AND CONFIDENTIAL
 THE INFORMATION CONTAINED IN THIS DRAWING IS THE SOLE PROPERTY OF INTECH TRAILERS. ANY REPRODUCTION IN PART OR AS A WHOLE WITHOUT THE WRITTEN PERMISSION OF INTECH TRAILERS IS PROHIBITED.