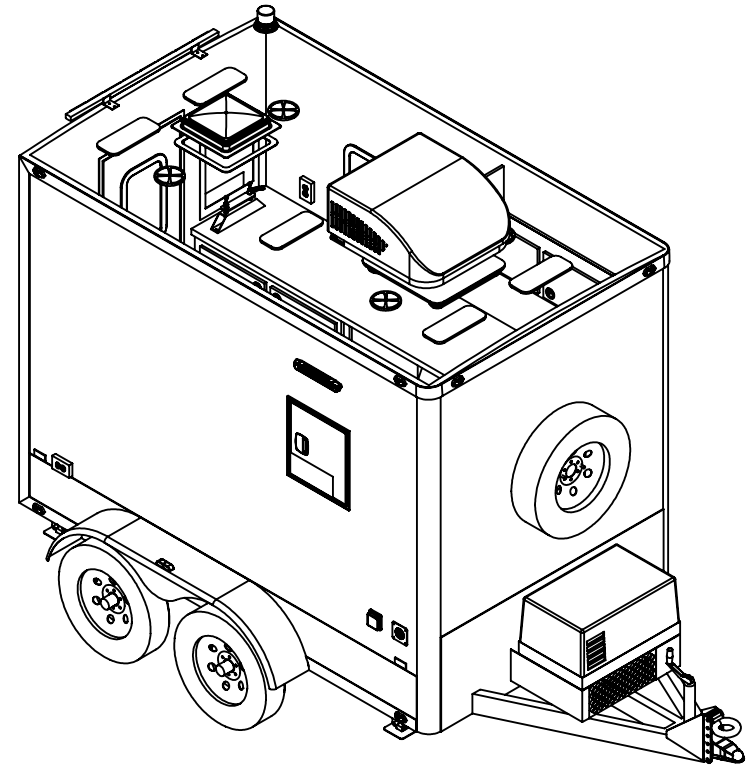
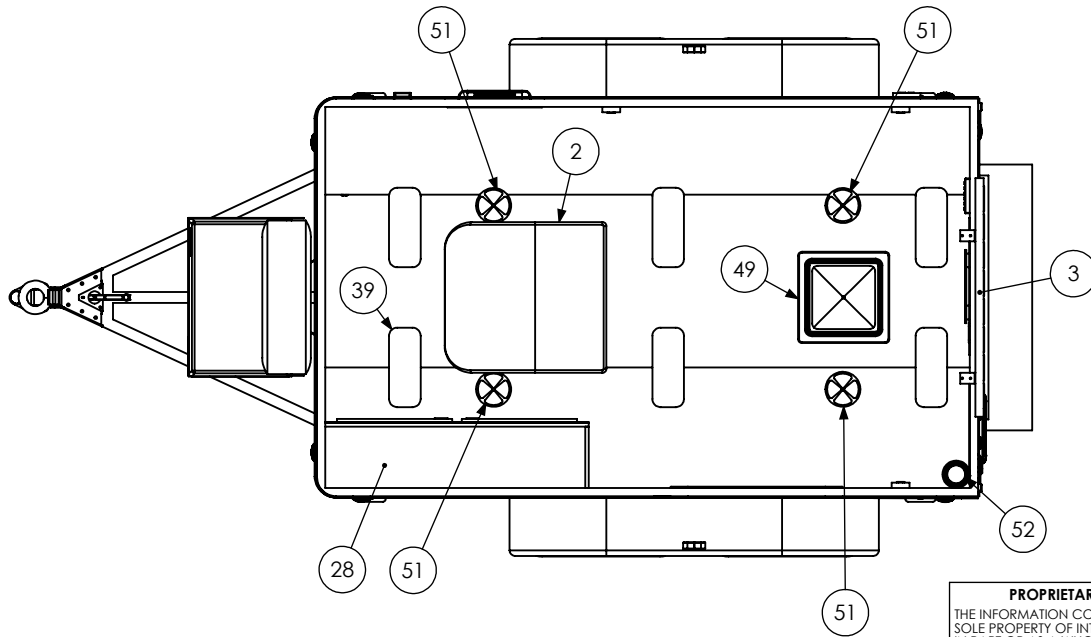
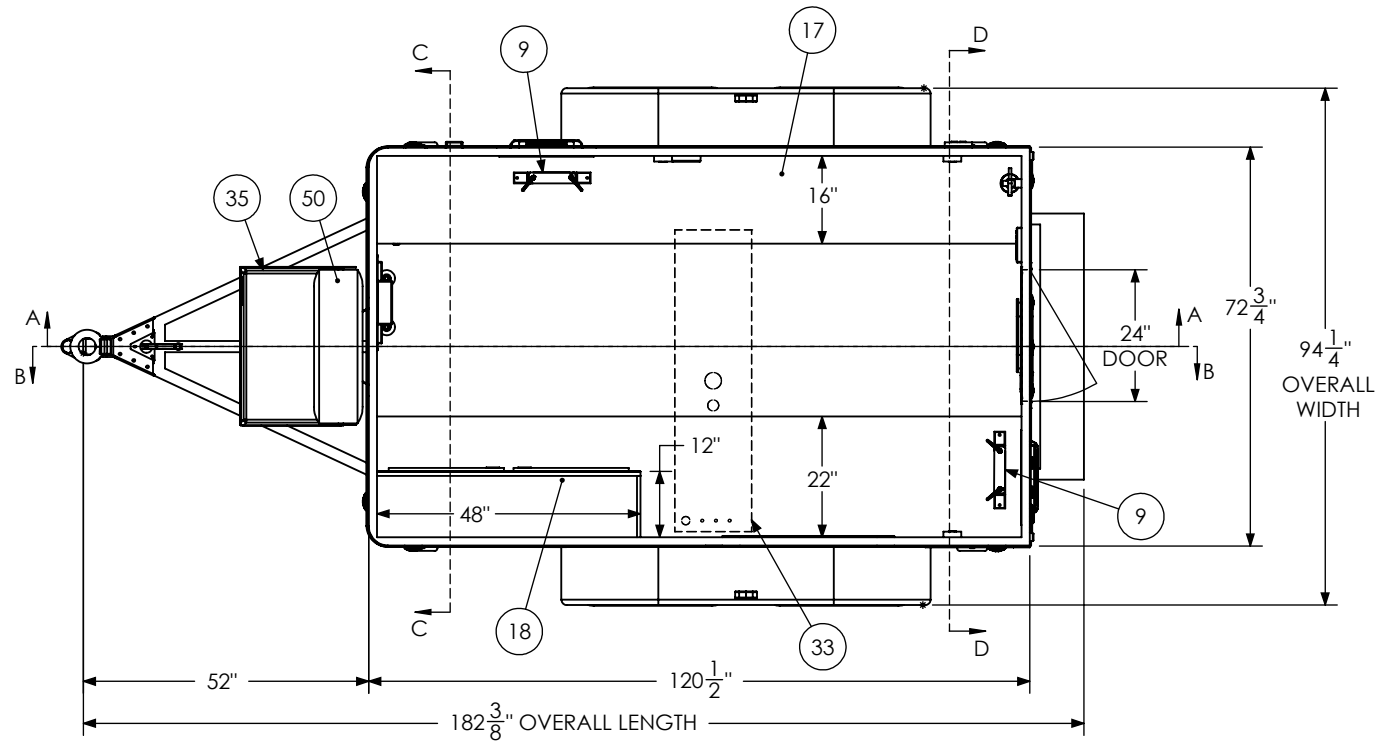


ITEM NO.	FILE NAME	DESCRIPTION	QTY.
1	Adjustable Height Hitch		1
2	Air Conditioner	13,500 BTU	1
3	Arrow Light	LED	1
4	Arrow Light Switch		1
5	Axle, Dexter	3500#, 22.5 DOWN, 86.5HF, 72AB FOST	2
6	Battery Box		1
7	Battery Vent		1
8	CO Detector		1
9	Cable Clamp Assembly 2		2
13	Door, Cable FOST	16"x18" LHS	1
14	Door, Cable FOST	16"x18" RHS	1
15	Door, Entrance	24" x 72" RHS	1
16	Eye Wash Station		1
17	FOST6x10 Base Cabinet CS Assembly		1
18	FOST6x10 Base Cabinet RS Assembly		1
21	FOST6x10 Fuel Fill Cover		1
28	FOST6x10 Overhead Cabinet RS Assembly		1
29	Fire Extinguisher	1A: 10-B:C	1
30	First Aid Kit		1
31	Fuel Fill		1
32	Fuel Gauge		1
33	Fuel Tank ECI	ECI - 20 Gal. Top Fill	1
34	Gen Wrap		1
35	Generator	4.0 KW Gas	1
36	Jack - Top Wind		1
37	Jack, Rear Stabilizer		4
38	License Plate Holder		1
39	Light	14.5" Surface Mount LED	6
40	Load Center	30 Amp L/C - 60 Amp Conv	1
41	Loading Light - LED	13.7" 12V Loading Light	2
42	Motorbase Plug	30 Amp	1
43	Outlet	120V 15 Amp	5
44	Outlet	USB - Dual Charge	1
45	Radio - iTRV	JWM40	1
48	Remote Start		1
49	Roof Vent		1
50	Spare Tire Assembly		1
51	Speaker		4
52	Strobe Light		1
53	Switch	Roof Vent	1
54	Switch	3 - 12V Switches	1
55	Switch	12v Cutoff	1
58	Tire	ST205/75R15	4
59	Transfer Switch, Automatic	PD52DCS	1
60	Wall Heater	5200 BTU	1
61	Window	30" x 20" Vertical	1



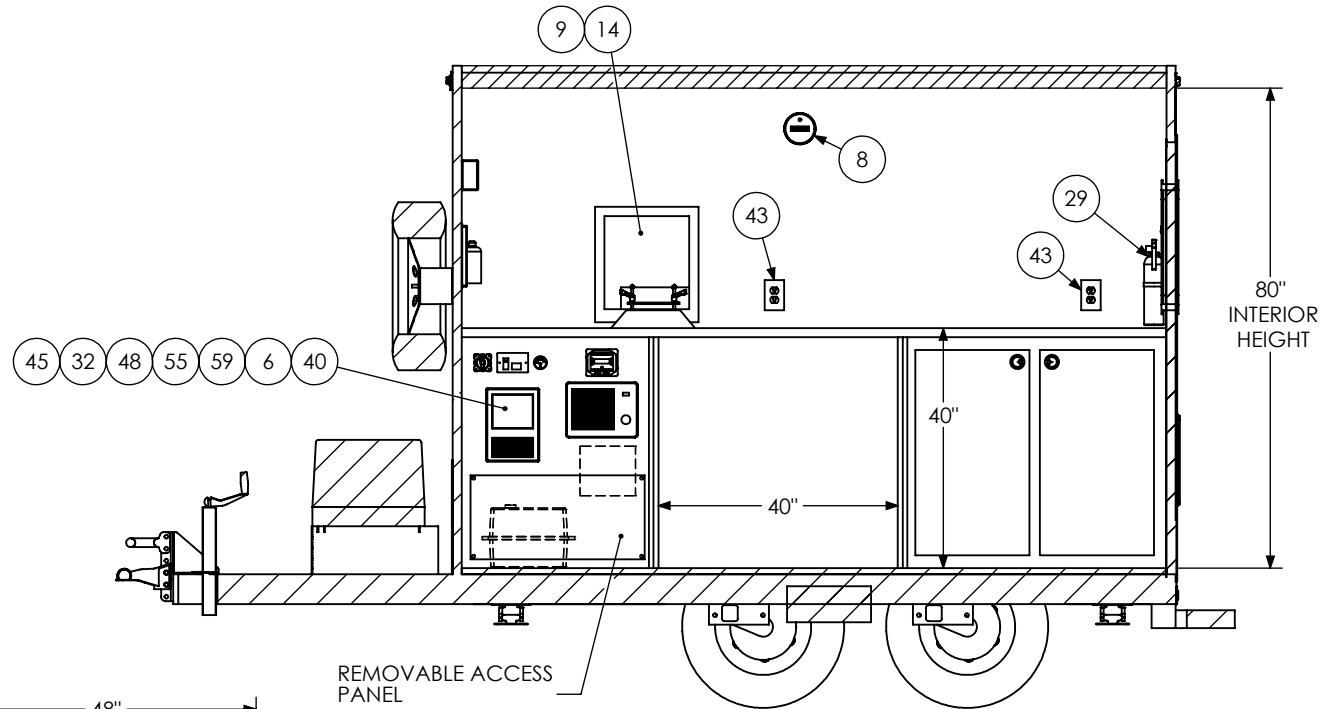
	NAME	DATE	<i>inTech Trailers</i>	
DRAWN	JJP	7/15/22	INTECH FOST6x10TA2 BOM	
CHECKED				
ENG APPR.				
<small>ALL DIMENSIONS ARE IN INCHES AND ARE NOMINAL. DIMENSIONS ON ACTUAL TRAILER MAY VARY FROM WHAT IS SHOWN ON PRINT BASED ON ACTUAL FRAMING AND TRAILER STRUCTURE. UNLESS NOTED AS CRITICAL.</small>			DWG. NO. FOST6x10TA Trailer Assembly -	REV. C
			SCALE: 1:40	SHEET 1 OF 5

PROPRIETARY AND CONFIDENTIAL
 THE INFORMATION CONTAINED IN THIS DRAWING IS THE SOLE PROPERTY OF INTECH TRAILERS. ANY REPRODUCTION IN PART OR AS A WHOLE WITHOUT THE WRITTEN PERMISSION OF INTECH TRAILERS IS PROHIBITED.

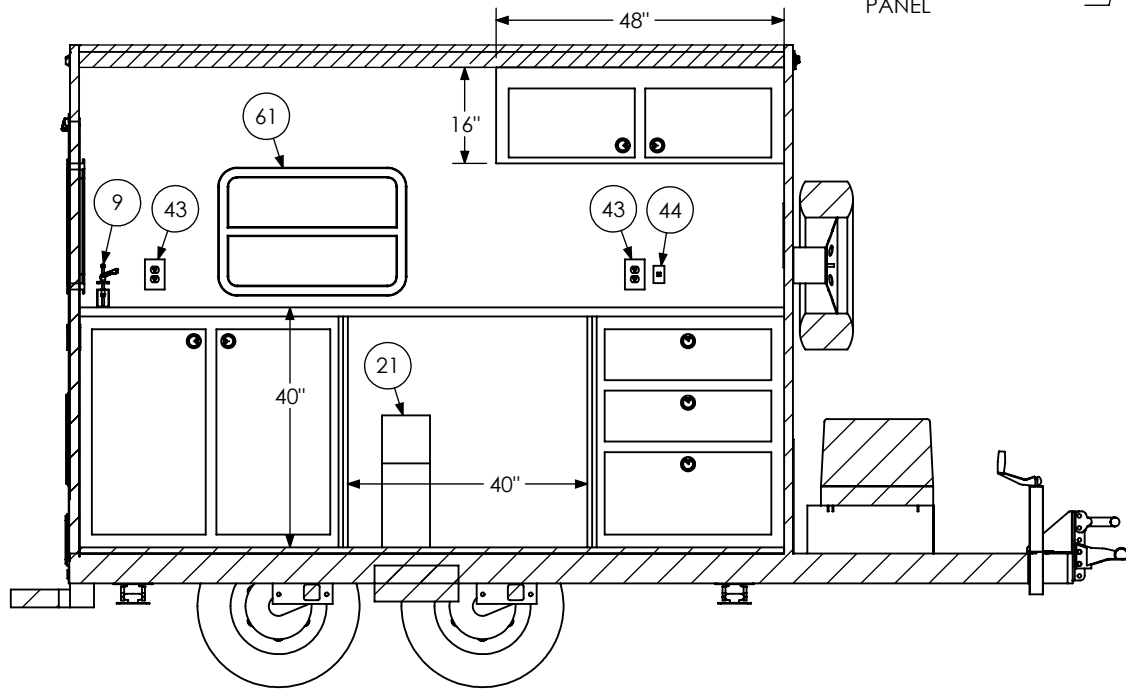


PROPRIETARY AND CONFIDENTIAL
 THE INFORMATION CONTAINED IN THIS DRAWING IS THE
 SOLE PROPERTY OF INTECH TRAILERS. ANY REPRODUCTION
 IN PART OR AS A WHOLE WITHOUT THE WRITTEN PERMISSION
 OF INTECH TRAILERS IS PROHIBITED.

	NAME	DATE	inTech Trailers INTECH FOST6x10TA2 FLOORPLAN	
DRAWN	JJP	7/15/22		
CHECKED				
ENG APPR.				
ALL DIMENSIONS ARE IN INCHES AND ARE NOMINAL. DIMENSIONS ON ACTUAL TRAILER MAY VARY FROM WHAT IS SHOWN ON PRINT BASED ON ACTUAL FRAMING AND TRAILER STRUCTURE. UNLESS NOTED AS CRITICAL			DWG. NO. FOST6x10TA Trailer Assembly -	REV. C
SCALE: 1:35			SHEET 2 OF 5	



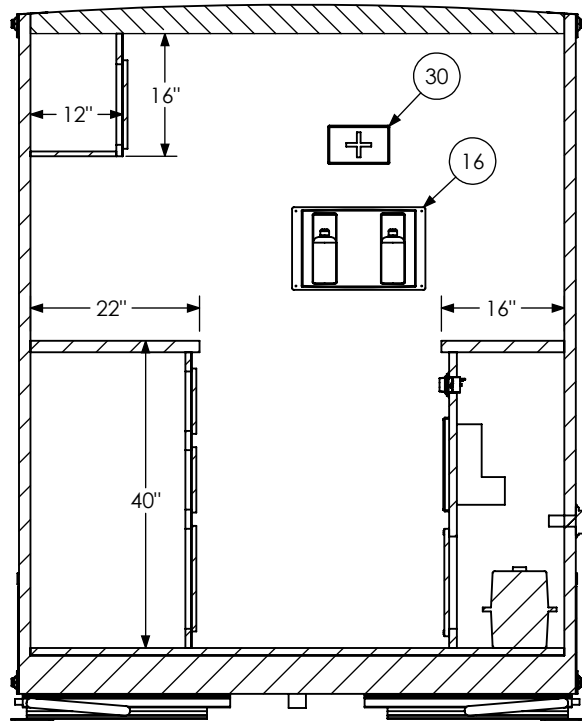
INTERIOR CURB SIDE
SECTION A-A



INTERIOR ROAD SIDE
SECTION B-B

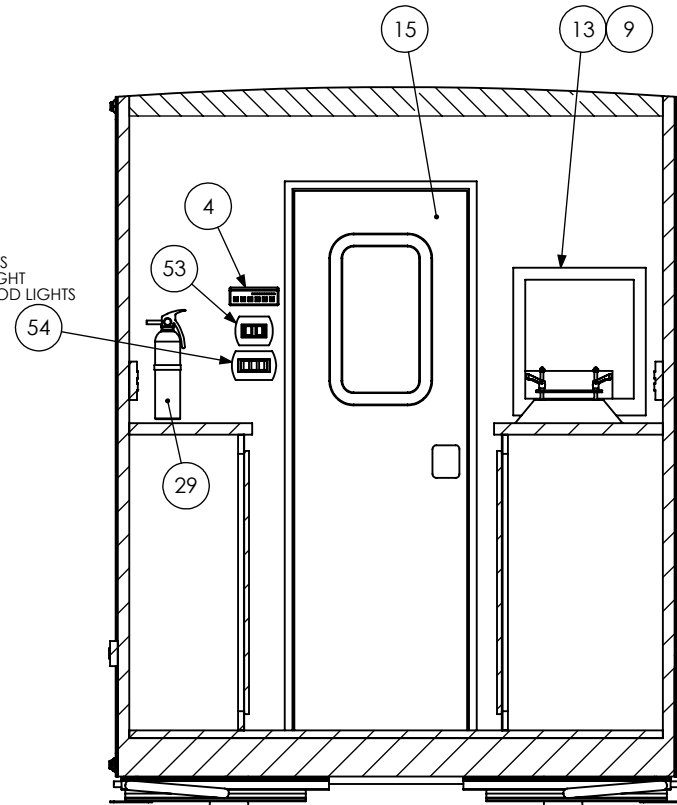
PROPRIETARY AND CONFIDENTIAL
THE INFORMATION CONTAINED IN THIS DRAWING IS THE SOLE PROPERTY OF INTECH TRAILERS. ANY REPRODUCTION IN PART OR AS A WHOLE WITHOUT THE WRITTEN PERMISSION OF INTECH TRAILERS IS PROHIBITED.

	NAME	DATE	<i>inTech Trailers</i> INTECH FOST6x10TA2 INTERIOR SIDES	
DRAWN	JJP	7/15/22		
CHECKED				
ENG APPR.				
ALL DIMENSIONS ARE IN INCHES AND ARE NOMINAL. DIMENSIONS ON ACTUAL TRAILER MAY VARY FROM WHAT IS SHOWN ON PRINT BASED ON ACTUAL FRAMING AND TRAILER STRUCTURE. UNLESS NOTED AS CRITICAL.			DWG. NO. FOST6x10TA Trailer Assembly -	REV. C
SCALE: 1:32			SHEET 3 OF 5	



INTERIOR FRONT
SECTION C-C

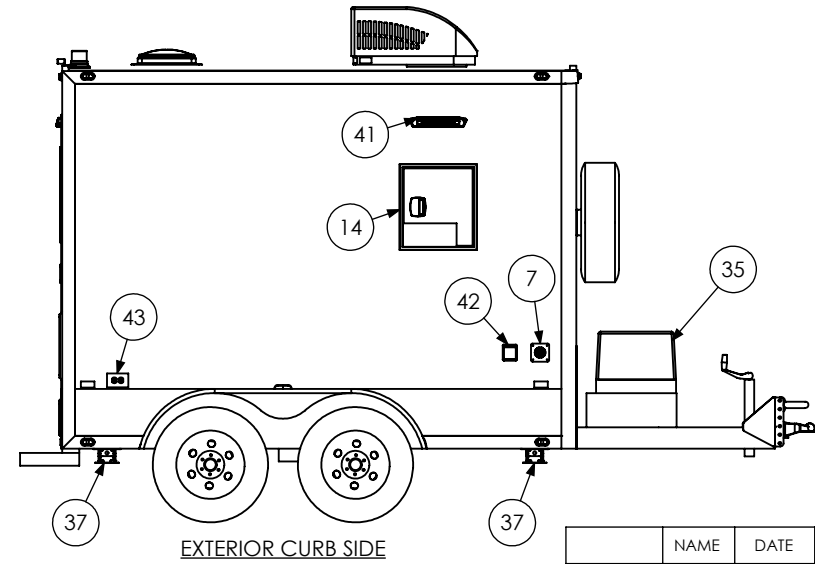
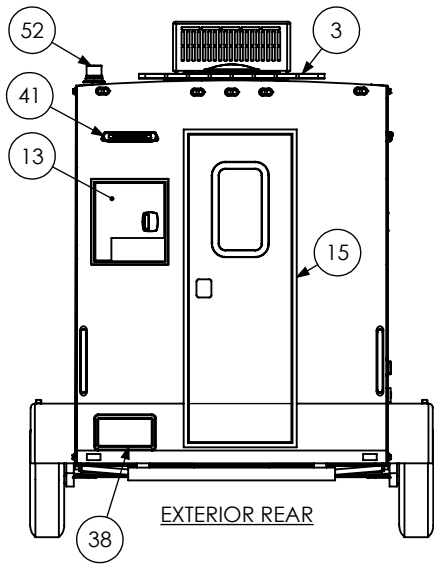
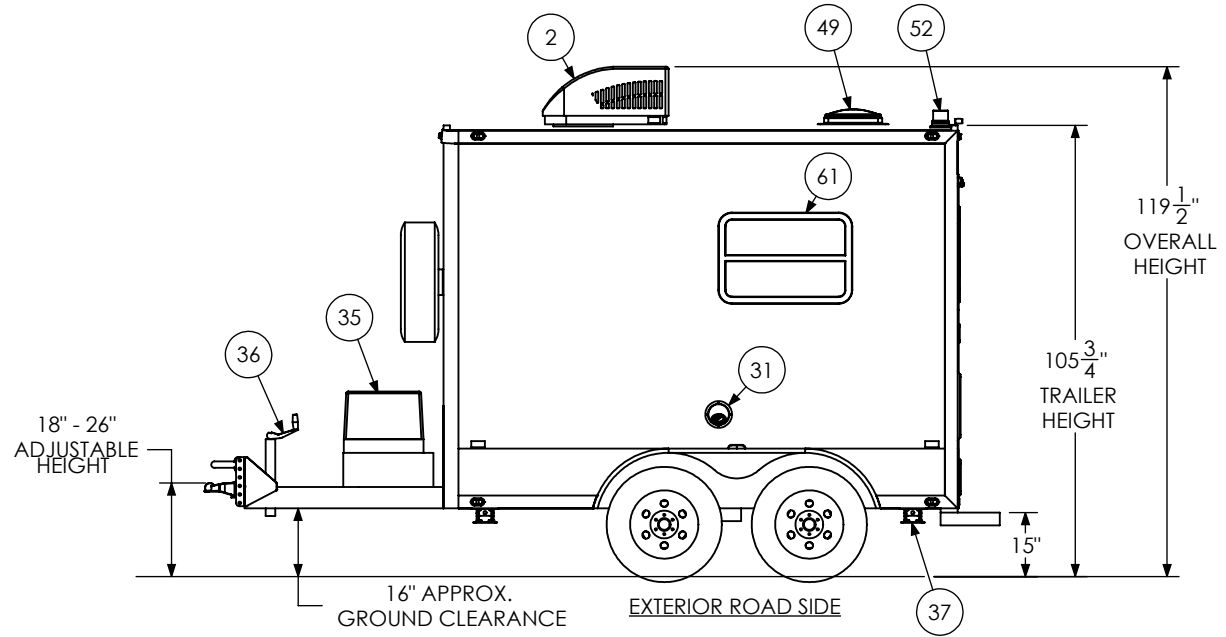
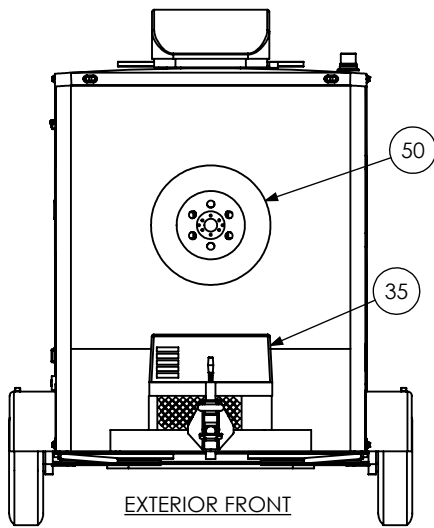
SWITCH 1 - CEILING LIGHTS
SWITCH 2 - C/S FLOOD LIGHT
SWITCH 3 - EXTERIOR FLOOD LIGHTS



INTERIOR REAR
SECTION D-D

	NAME	DATE	inTech Trailers INTECH FOST6x10TA2 INTERIOR FRONT & BACK		
DRAWN	JJP	7/15/22			
CHECKED					
ENG APPR.					
ALL DIMENSIONS ARE IN INCHES AND ARE NOMINAL. DIMENSIONS ON ACTUAL TRAILER MAY VARY FROM WHAT IS SHOWN ON PRINT BASED ON ACTUAL FRAMING AND TRAILER STRUCTURE. UNLESS NOTED AS CRITICAL			DWG. NO.	REV.	
			FOST6x10TA Trailer Assembly -		C
			SCALE: 1:25	SHEET 4 OF 5	

PROPRIETARY AND CONFIDENTIAL
 THE INFORMATION CONTAINED IN THIS DRAWING IS THE
 SOLE PROPERTY OF INTECH TRAILERS. ANY REPRODUCTION
 IN PART OR AS A WHOLE WITHOUT THE WRITTEN PERMISSION
 OF INTECH TRAILERS IS PROHIBITED.



PROPRIETARY AND CONFIDENTIAL
 THE INFORMATION CONTAINED IN THIS DRAWING IS THE SOLE PROPERTY OF INTECH TRAILERS. ANY REPRODUCTION IN PART OR AS A WHOLE WITHOUT THE WRITTEN PERMISSION OF INTECH TRAILERS IS PROHIBITED.

	NAME	DATE
DRAWN	JJP	7/15/22
CHECKED		
ENG APPR.		

ALL DIMENSIONS ARE IN INCHES AND ARE NOMINAL. DIMENSIONS ON ACTUAL TRAILER MAY VARY FROM WHAT IS SHOWN ON PRINT BASED ON ACTUAL FRAMING AND TRAILER STRUCTURE. UNLESS NOTED AS CRITICAL.

inTech Trailers	
INTECH FOST6x10TA2 EXTERIOR	
DWG. NO. FOST6x10TA Trailer Assembly -	REV. C
SCALE: 1:45	SHEET 5 OF 5