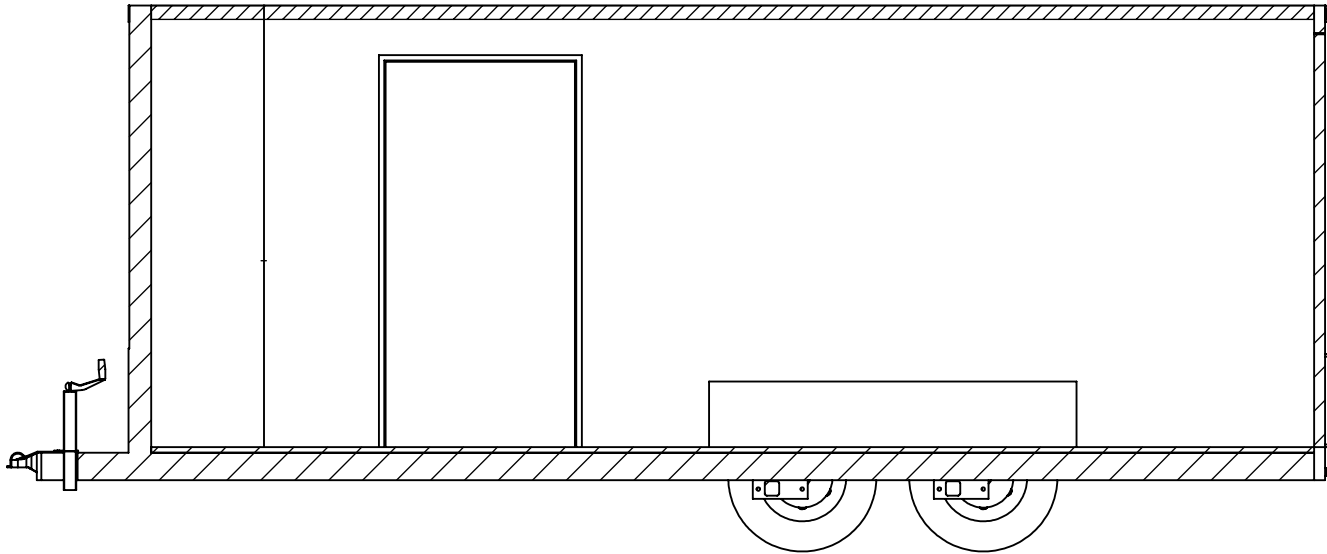


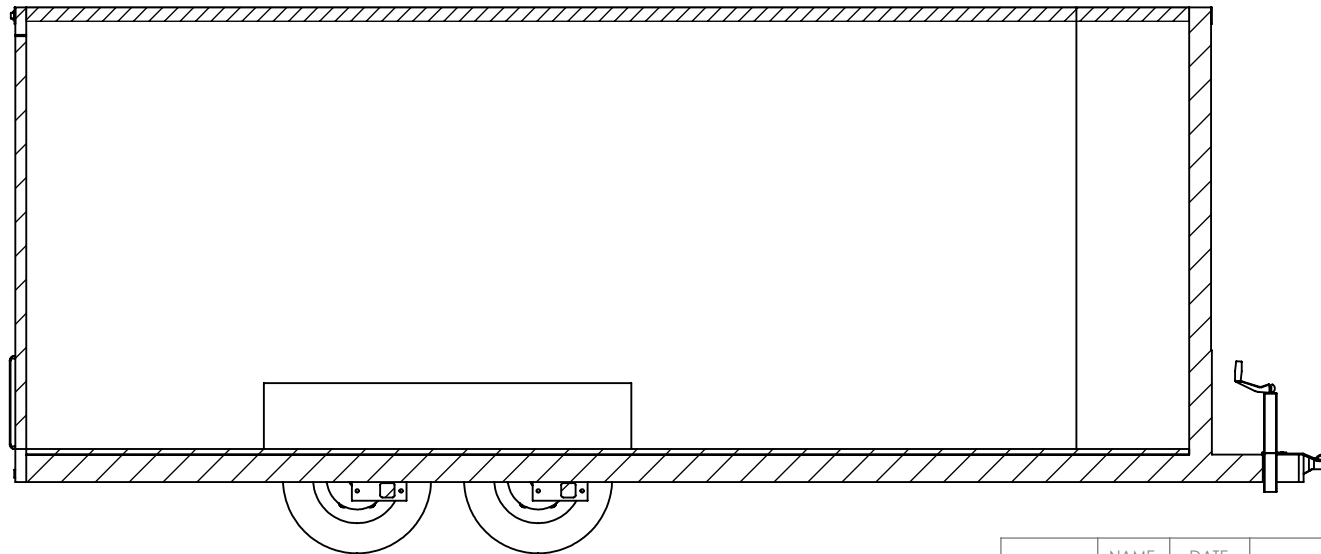
GRID = 12" x 12"

PROPRIETARY AND CONFIDENTIAL
 THE INFORMATION CONTAINED IN THIS DRAWING IS THE
 SOLE PROPERTY OF INTECH TRAILERS. ANY REPRODUCTION
 IN PART OR AS A WHOLE WITHOUT THE WRITTEN PERMISSION
 OF INTECH TRAILERS IS PROHIBITED.

| | NAME | DATE | <i>inTech Trailers</i> | |
|--|------|---------|--|--------------|
| DRAWN | NjM | 5/18/16 | TEMPLATE WBTA7.5x16+2TA FLOORPLAN | |
| CHECKED | | | | |
| ENG APPR. | | | | |
| <small>ALL DIMENSIONS ARE IN INCHES AND ARE NOMINAL. DIMENSIONS ON ACTUAL TRAILER MAY VARY FROM WHAT IS SHOWN ON PRINT BASED ON ACTUAL FRAMING AND TRAILER STRUCTURE. UNLESS NOTED AS CRITICAL</small> | | | DWG. NO. WBTA7.5+2TA | REV. A |
| | | | SCALE: 1:28 | SHEET 1 OF 4 |



INTERIOR CURB SIDE

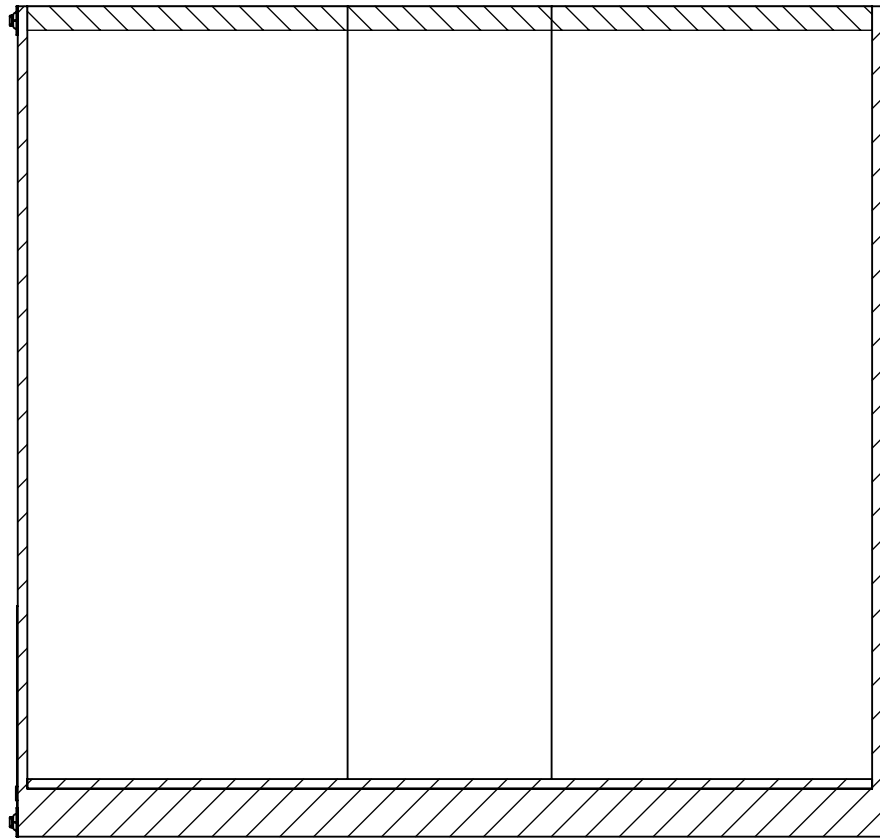


INTERIOR ROAD SIDE

STANDARD:
 - INTERIOR HEIGHT - 78"
 - ENTRANCE DOOR - 36"

PROPRIETARY AND CONFIDENTIAL
 THE INFORMATION CONTAINED IN THIS DRAWING IS THE
 SOLE PROPERTY OF INTECH TRAILERS. ANY REPRODUCTION
 IN PART OR AS A WHOLE WITHOUT THE WRITTEN PERMISSION
 OF INTECH TRAILERS IS PROHIBITED.

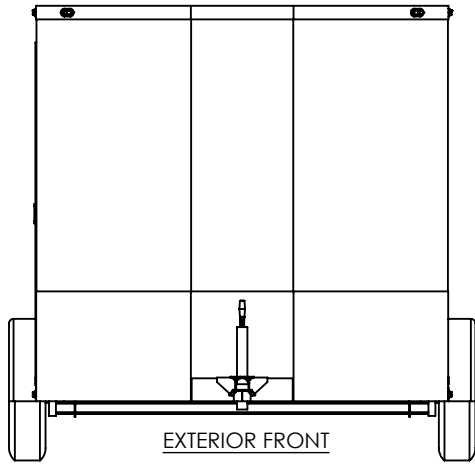
| | | | | |
|---|------|---------|---|--------------|
| | NAME | DATE | <i>inTech Trailers</i> TEMPLATE WBTA7.5x16+2TA INTERIOR SIDES | |
| DRAWN | NjM | 5/18/16 | | |
| CHECKED | | | | |
| ENG APPR. | | | | |
| ALL DIMENSIONS ARE IN INCHES AND ARE NOMINAL. DIMENSIONS ON ACTUAL TRAILER MAY VARY FROM WHAT IS SHOWN ON PRINT BASED ON ACTUAL FRAMING AND TRAILER STRUCTURE. UNLESS NOTED AS CRITICAL | | | DWG. NO. WBTA7.5+2TA | REV. A |
| | | | SCALE: 1:2 | SHEET 2 OF 4 |



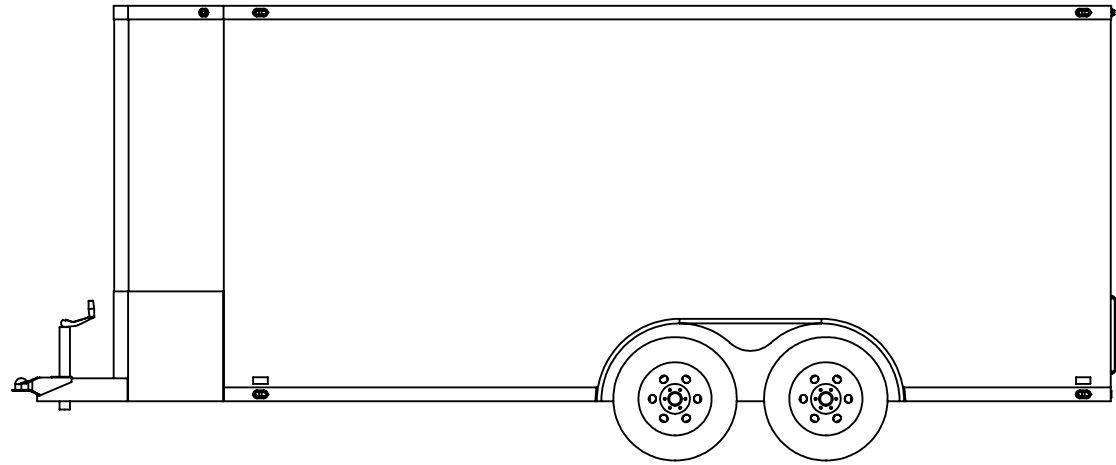
INTERIOR FRONT

| | | | | |
|---|------|---------|---|--------------|
| | NAME | DATE | <i>inTech Trailers</i> TEMPLATE WBTA7.5x16+2TA INTERIOR FRONT | |
| DRAWN | NJM | 5/18/16 | | |
| CHECKED | | | | |
| ENG APPR. | | | | |
| ALL DIMENSIONS ARE IN INCHES AND ARE NOMINAL. DIMENSIONS ON ACTUAL TRAILER MAY VARY FROM WHAT IS SHOWN ON PRINT BASED ON ACTUAL FRAMING AND TRAILER STRUCTURE. UNLESS NOTED AS CRITICAL | | | DWG. NO. | REV. |
| | | | WBTA7.5+2TA | A |
| | | | SCALE: 1:20 | SHEET 3 OF 4 |

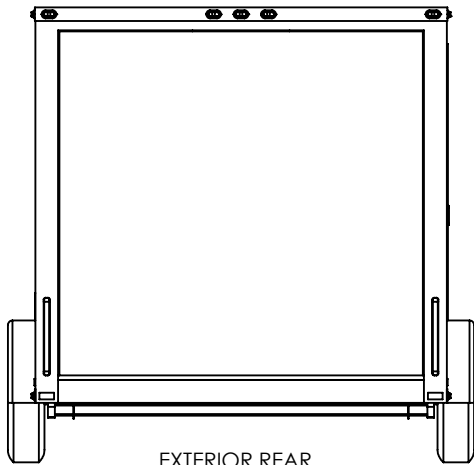
PROPRIETARY AND CONFIDENTIAL
 THE INFORMATION CONTAINED IN THIS DRAWING IS THE
 SOLE PROPERTY OF INTECH TRAILERS. ANY REPRODUCTION
 IN PART OR AS A WHOLE WITHOUT THE WRITTEN PERMISSION
 OF INTECH TRAILERS IS PROHIBITED.



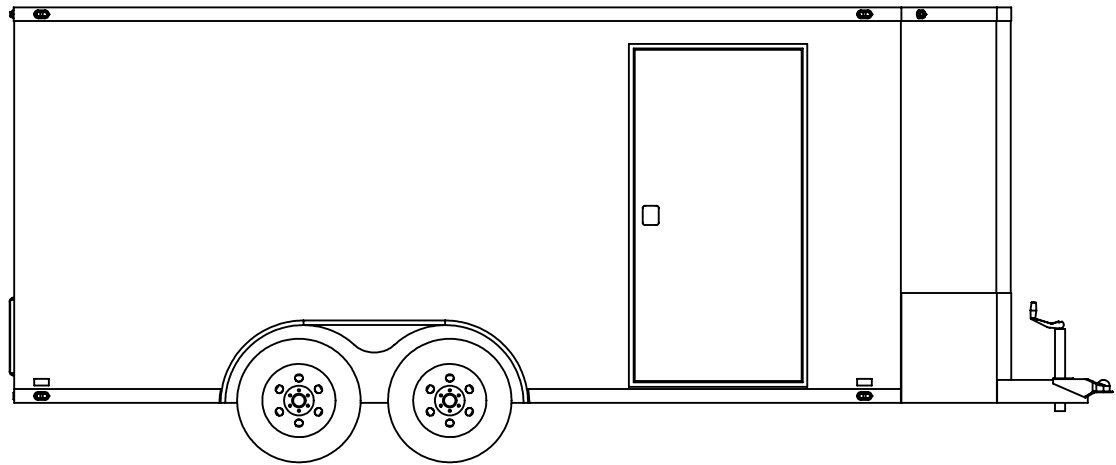
EXTERIOR FRONT



EXTERIOR ROAD SIDE



EXTERIOR REAR
RAMP DOOR STANDARD SIZE 80"W x 75"H



EXTERIOR CURB SIDE

| | | | | |
|---|------|---------|---|--------------|
| | NAME | DATE | <i>inTech Trailers</i> TEMPLATE WBTA7.5x16+2TA EXTERIOR SIDES | |
| DRAWN | NJM | 5/18/16 | | |
| CHECKED | | | | |
| ENG APPR. | | | | |
| ALL DIMENSIONS ARE IN INCHES AND ARE NOMINAL. DIMENSIONS ON ACTUAL TRAILER MAY VARY FROM WHAT IS SHOWN ON PRINT BASED ON ACTUAL FRAMING AND TRAILER STRUCTURE. UNLESS NOTED AS CRITICAL | | | DWG. NO. | REV. |
| | | | WBTA7.5+2TA | A |
| | | | SCALE: 1:42 | SHEET 4 OF 4 |

PROPRIETARY AND CONFIDENTIAL
 THE INFORMATION CONTAINED IN THIS DRAWING IS THE
 SOLE PROPERTY OF INTECH TRAILERS. ANY REPRODUCTION
 IN PART OR AS A WHOLE WITHOUT THE WRITTEN PERMISSION
 OF INTECH TRAILERS IS PROHIBITED.