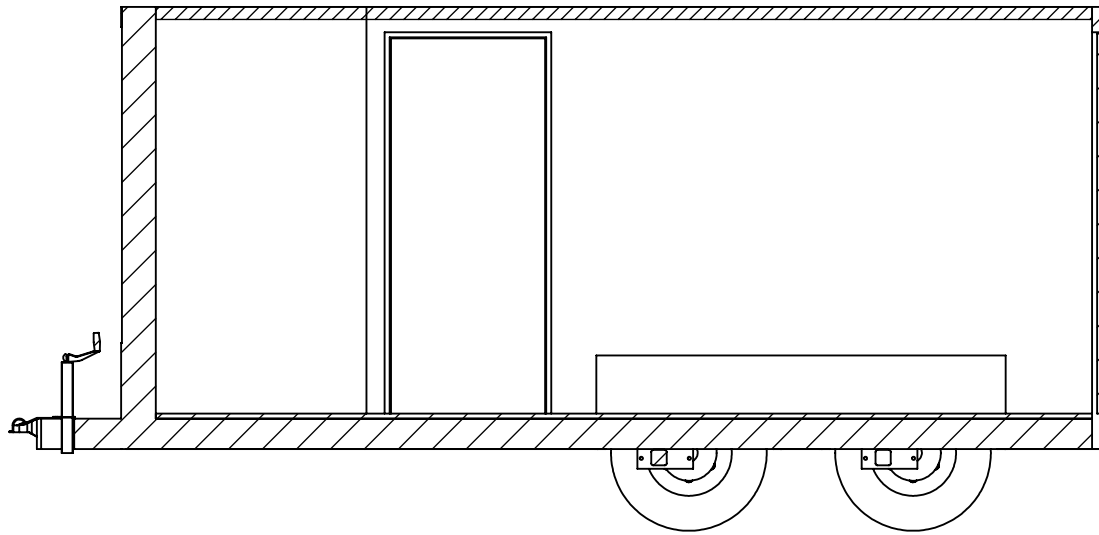


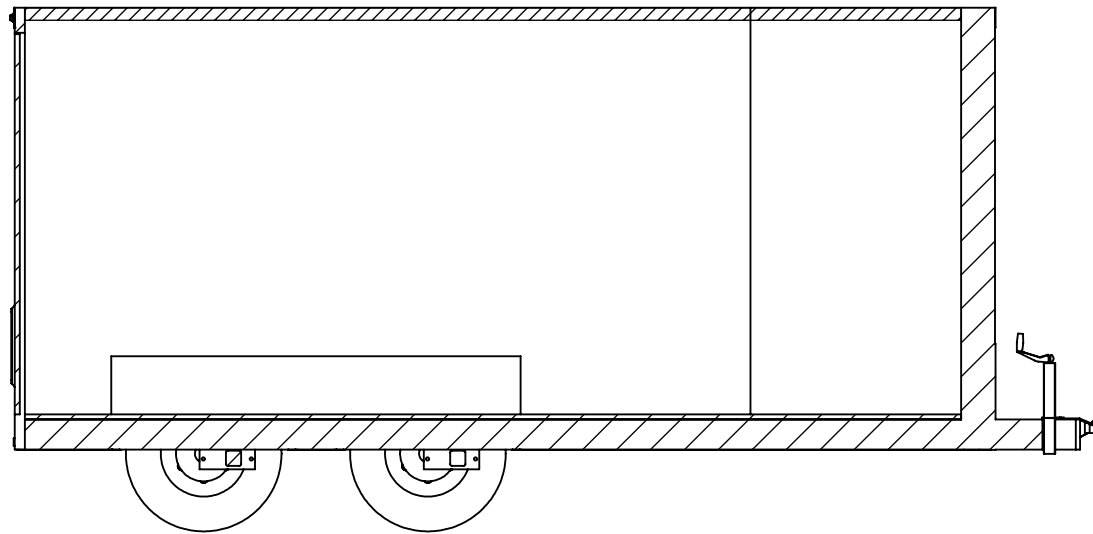
GRID = 12" x 12"

PROPRIETARY AND CONFIDENTIAL
 THE INFORMATION CONTAINED IN THIS DRAWING IS THE
 SOLE PROPERTY OF INTECH TRAILERS. ANY REPRODUCTION
 IN PART OR AS A WHOLE WITHOUT THE WRITTEN PERMISSION
 OF INTECH TRAILERS IS PROHIBITED.

	NAME	DATE	<i>inTech Trailers</i> TEMPLATE WBTA8.5x12+4TA FLOORPLAN	
DRAWN	NJM	5/6/16		
CHECKED				
ENG APPR.				
ALL DIMENSIONS ARE IN INCHES AND ARE NOMINAL. DIMENSIONS ON ACTUAL TRAILER MAY VARY FROM WHAT IS SHOWN ON PRINT BASED ON ACTUAL FRAMING AND TRAILER STRUCTURE. UNLESS NOTED AS CRITICAL			DWG. NO. WBTA8.5+4TA Trailer Assembly	REV. A
			SCALE: 1:28	SHEET 1 OF 4



INTERIOR CURB SIDE

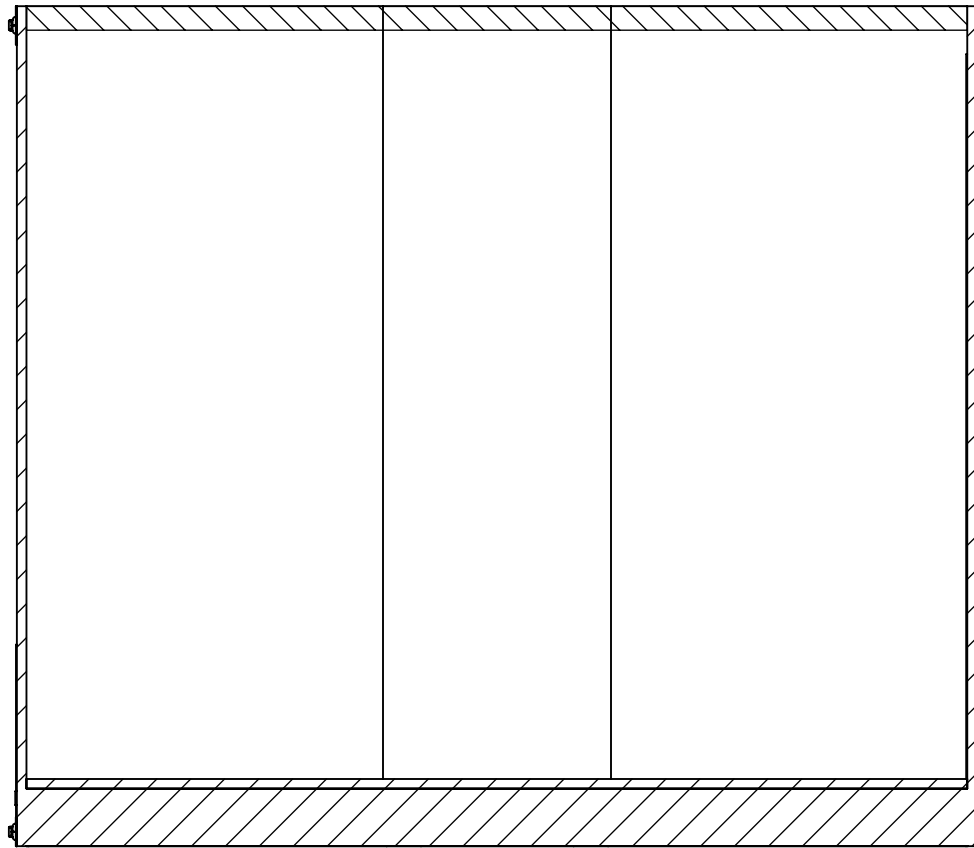


INTERIOR ROAD SIDE

STANDARD:
 - INTERIOR HEIGHT - 78"
 - ENTRANCE DOOR - 32"

PROPRIETARY AND CONFIDENTIAL
 THE INFORMATION CONTAINED IN THIS DRAWING IS THE
 SOLE PROPERTY OF INTECH TRAILERS. ANY REPRODUCTION
 IN PART OR AS A WHOLE WITHOUT THE WRITTEN PERMISSION
 OF INTECH TRAILERS IS PROHIBITED.

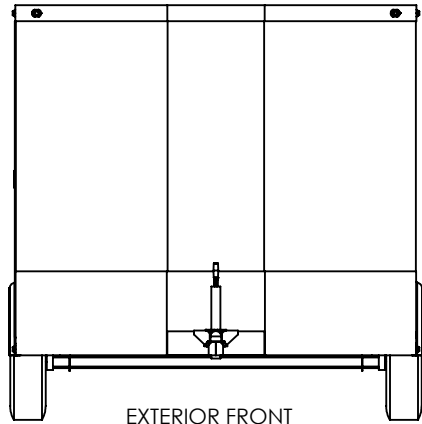
	NAME	DATE	<i>inTech Trailers</i> TEMPLATE WBTA8.5x12+4TA INTERIOR SIDES	
DRAWN	NJM	5/6/16		
CHECKED				
ENG APPR.				
ALL DIMENSIONS ARE IN INCHES AND ARE NOMINAL. DIMENSIONS ON ACTUAL TRAILER MAY VARY FROM WHAT IS SHOWN ON PRINT BASED ON ACTUAL FRAMING AND TRAILER STRUCTURE. UNLESS NOTED AS CRITICAL			DWG. NO. WBTA8.5+4TA Trailer Assembly	REV. A
			SCALE: 1:38	SHEET 2 OF 4



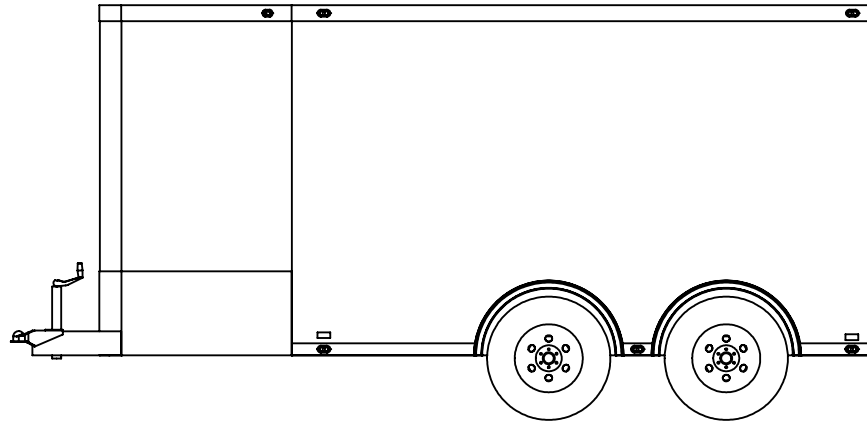
INTERIOR FRONT

	NAME	DATE	<i>inTech Trailers</i> TEMPLATE WBTA8.5x12+4TA INTERIOR FRONT	
DRAWN	NJM	5/6/16		
CHECKED				
ENG APPR.				
ALL DIMENSIONS ARE IN INCHES AND ARE NOMINAL. DIMENSIONS ON ACTUAL TRAILER MAY VARY FROM WHAT IS SHOWN ON PRINT BASED ON ACTUAL FRAMING AND TRAILER STRUCTURE. UNLESS NOTED AS CRITICAL			DWG. NO.	REV.
			WBTA8.5+4TA Trailer Assembly	A
			SCALE: 1:20	SHEET 3 OF 4

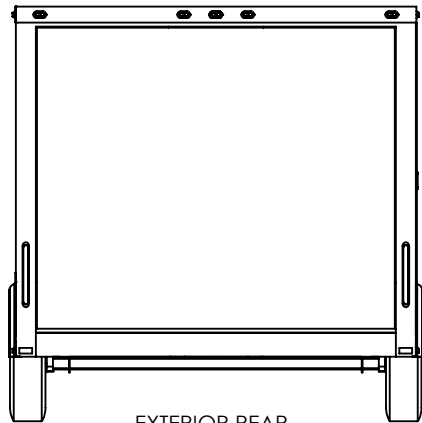
PROPRIETARY AND CONFIDENTIAL
 THE INFORMATION CONTAINED IN THIS DRAWING IS THE
 SOLE PROPERTY OF INTECH TRAILERS. ANY REPRODUCTION
 IN PART OR AS A WHOLE WITHOUT THE WRITTEN PERMISSION
 OF INTECH TRAILERS IS PROHIBITED.



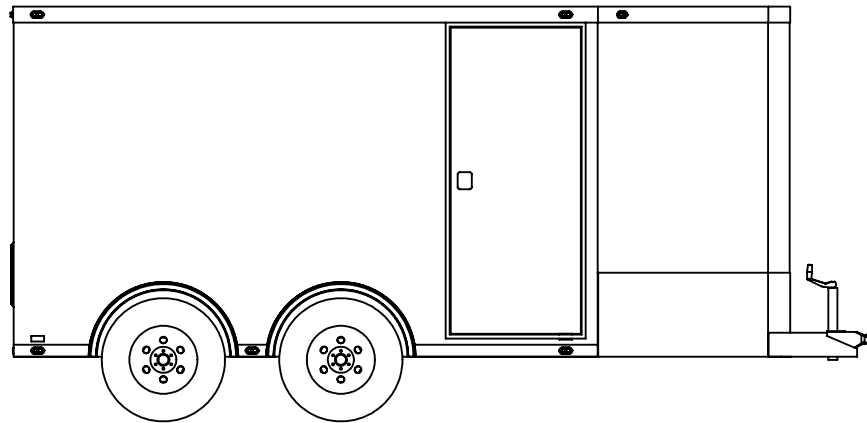
EXTERIOR FRONT



EXTERIOR ROAD SIDE



EXTERIOR REAR
RAMP DOOR STANDARD SIZE 90"W x 75"H



EXTERIOR CURB SIDE

PROPRIETARY AND CONFIDENTIAL
THE INFORMATION CONTAINED IN THIS DRAWING IS THE SOLE PROPERTY OF INTECH TRAILERS. ANY REPRODUCTION IN PART OR AS A WHOLE WITHOUT THE WRITTEN PERMISSION OF INTECH TRAILERS IS PROHIBITED.

	NAME	DATE
DRAWN	NJM	5/6/16
CHECKED		
ENG APPR.		

ALL DIMENSIONS ARE IN INCHES AND ARE NOMINAL. DIMENSIONS ON ACTUAL TRAILER MAY VARY FROM WHAT IS SHOWN ON PRINT BASED ON ACTUAL FRAMING AND TRAILER STRUCTURE. UNLESS NOTED AS CRITICAL

<i>inTech Trailers</i>	
TEMPLATE WBTA8.5x12+4TA EXTERIOR	
DWG. NO. WBTA8.5+4TA Trailer Assembly	REV. A
SCALE: 1:48	SHEET 4 OF 4