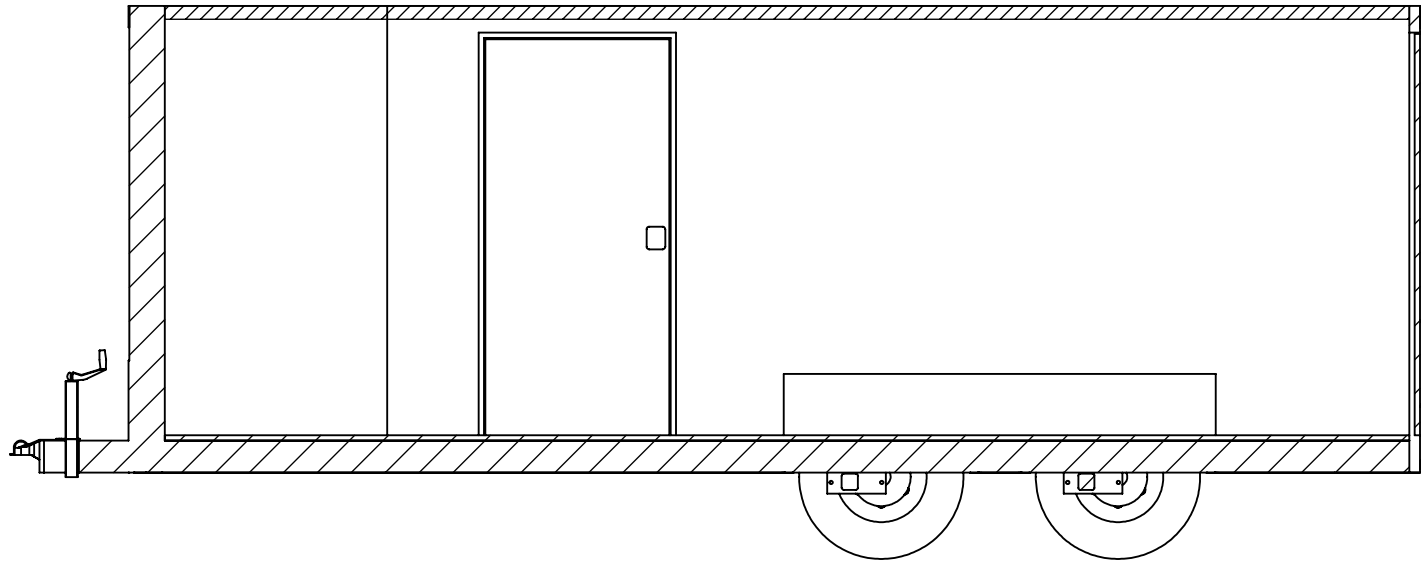


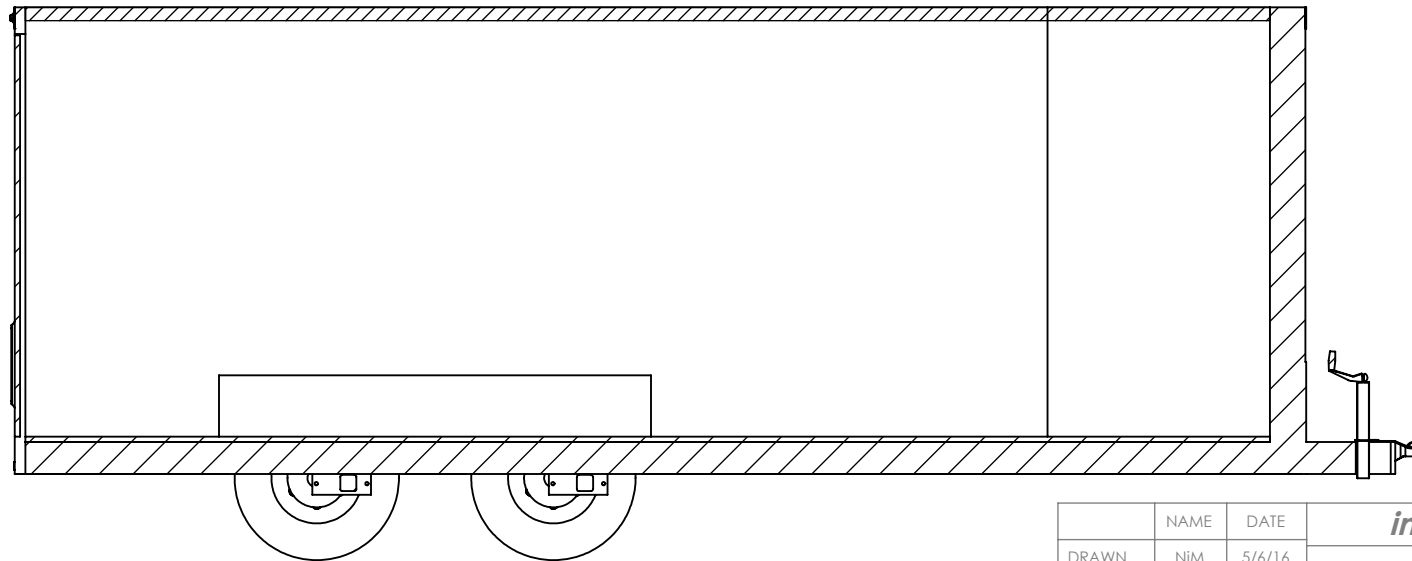
GRID = 12" x 12"

PROPRIETARY AND CONFIDENTIAL
 THE INFORMATION CONTAINED IN THIS DRAWING IS THE
 SOLE PROPERTY OF INTECH TRAILERS. ANY REPRODUCTION
 IN PART OR AS A WHOLE WITHOUT THE WRITTEN PERMISSION
 OF INTECH TRAILERS IS PROHIBITED.

	NAME	DATE	<i>inTech Trailers</i> TEMPLATE WBTA8.5x16+4TA FLOORPLAN	
DRAWN	NJM	5/6/16		
CHECKED				
ENG APPR.				
ALL DIMENSIONS ARE IN INCHES AND ARE NOMINAL. DIMENSIONS ON ACTUAL TRAILER MAY VARY FROM WHAT IS SHOWN ON PRINT BASED ON ACTUAL FRAMING AND TRAILER STRUCTURE. UNLESS NOTED AS CRITICAL			DWG. NO.	REV.
			WBTA8.5+4TA Trailer Assembly	A
			SCALE: 1:32	SHEET 1 OF 4



INTERIOR CURB SIDE



INTERIOR ROAD SIDE

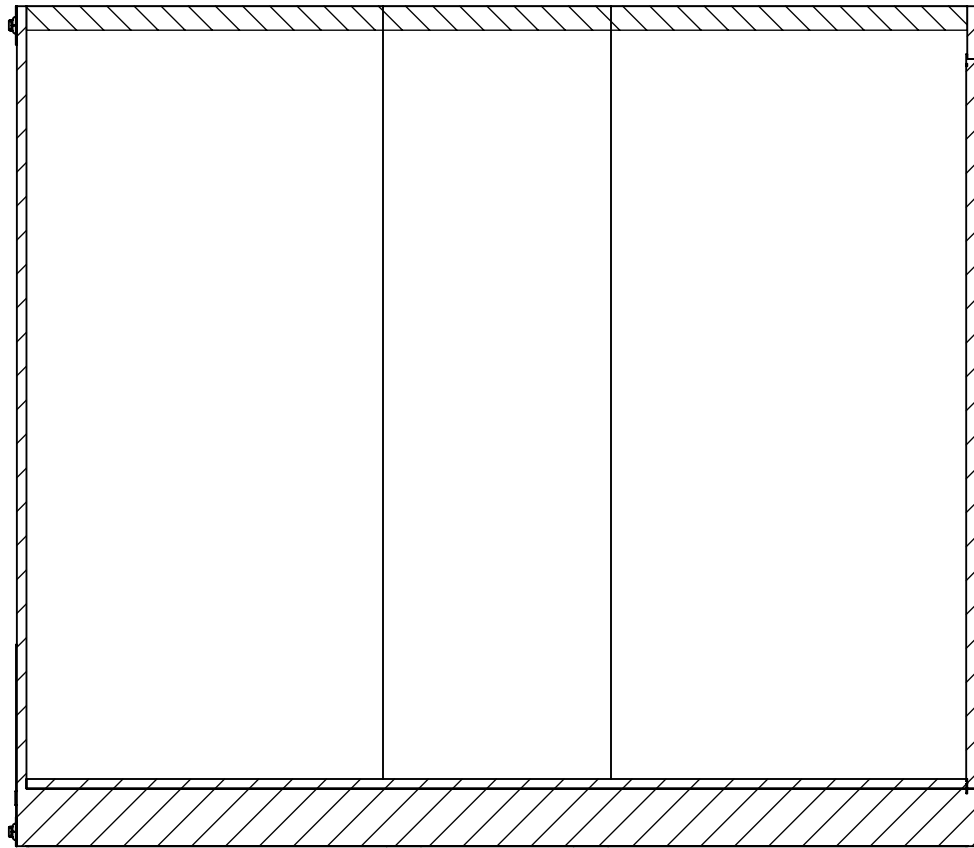
STANDARD:
 - INTERIOR HEIGHT - 78"
 - ENTRANCE DOOR - 36"

PROPRIETARY AND CONFIDENTIAL
 THE INFORMATION CONTAINED IN THIS DRAWING IS THE
 SOLE PROPERTY OF INTECH TRAILERS. ANY REPRODUCTION
 IN PART OR AS A WHOLE WITHOUT THE WRITTEN PERMISSION
 OF INTECH TRAILERS IS PROHIBITED.

	NAME	DATE
DRAWN	NJM	5/6/16
CHECKED		
ENG APPR.		

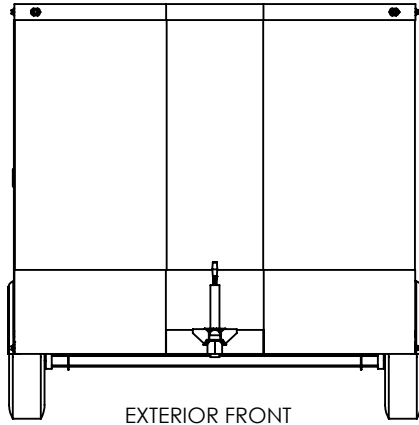
ALL DIMENSIONS ARE IN INCHES
 AND ARE NOMINAL. DIMENSIONS
 ON ACTUAL TRAILER MAY VARY
 FROM WHAT IS SHOWN ON PRINT
 BASED ON ACTUAL FRAMING AND
 TRAILER STRUCTURE. UNLESS
 NOTED AS CRITICAL

<i>inTech Trailers</i>	
TEMPLATE WBTA8.5x16+4TA INTERIOR SIDES	
DWG. NO. WBTA8.5+4TA Trailer Assembly	REV. A
SCALE: 1:36	SHEET 2 OF 4

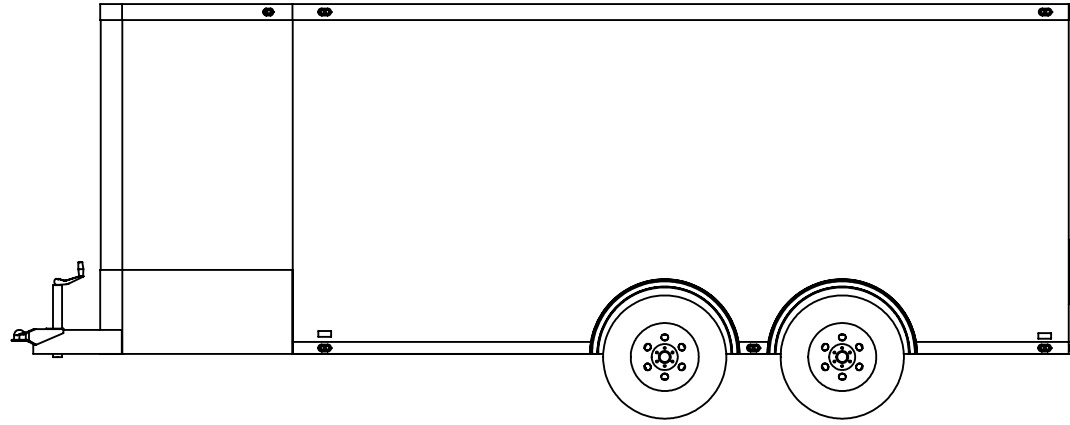


INTERIOR FRONT

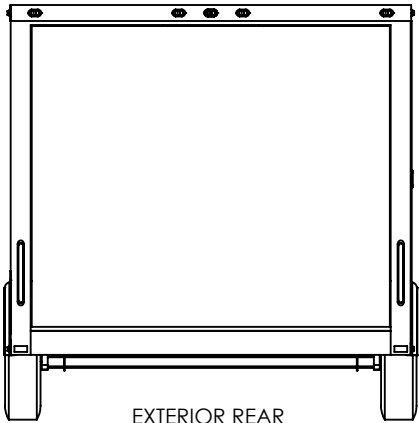
	NAME	DATE	<i>inTech Trailers</i> TEMPLATE WBTA8.5x16+4TA INTERIOR FRONT	
DRAWN	NJM	5/6/16		
CHECKED				
ENG APPR.				
PROPRIETARY AND CONFIDENTIAL THE INFORMATION CONTAINED IN THIS DRAWING IS THE SOLE PROPERTY OF INTECH TRAILERS. ANY REPRODUCTION IN PART OR AS A WHOLE WITHOUT THE WRITTEN PERMISSION OF INTECH TRAILERS IS PROHIBITED.			ALL DIMENSIONS ARE IN INCHES AND ARE NOMINAL. DIMENSIONS ON ACTUAL TRAILER MAY VARY FROM WHAT IS SHOWN ON PRINT BASED ON ACTUAL FRAMING AND TRAILER STRUCTURE. UNLESS NOTED AS CRITICAL	
DWG. NO.		WBTA8.5+4TA Trailer Assembly		REV.
SCALE: 1:20				A
				SHEET 3 OF 4



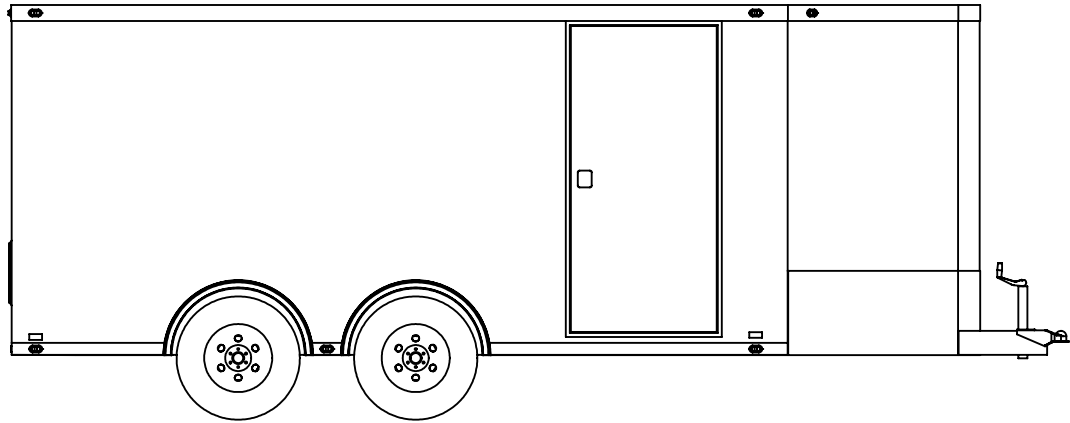
EXTERIOR FRONT



EXTERIOR ROAD SIDE



EXTERIOR REAR
RAMP DOOR STANDARD SIZE 90"W x 75"H



EXTERIOR CURB SIDE

	NAME	DATE	<i>inTech Trailers</i> TEMPLATE WBTA8.5x16+4TA EXTERIOR		
DRAWN	NJM	5/6/16			
CHECKED					
ENG APPR.					
ALL DIMENSIONS ARE IN INCHES AND ARE NOMINAL. DIMENSIONS ON ACTUAL TRAILER MAY VARY FROM WHAT IS SHOWN ON PRINT BASED ON ACTUAL FRAMING AND TRAILER STRUCTURE. UNLESS NOTED AS CRITICAL			DWG. NO.	REV.	
			WBTA8.5+4TA Trailer Assembly		A
			SCALE: 1:48	SHEET 4 OF 4	

PROPRIETARY AND CONFIDENTIAL
 THE INFORMATION CONTAINED IN THIS DRAWING IS THE
 SOLE PROPERTY OF INTECH TRAILERS. ANY REPRODUCTION
 IN PART OR AS A WHOLE WITHOUT THE WRITTEN PERMISSION
 OF INTECH TRAILERS IS PROHIBITED.